

117400 to 117499

Illustrated Parts List Model Series 117400 to 117499

TYPE NUMBERS
0036, 0081, 0101,
0102, 0134, 0135,
0155, 0180, 0181,
0187, 0189, 0190,
0192, 0193, 0235,
0236, 0238, 0239,
0242, 0247, 0256,
0260, 0281,
0501 through 0598,
0600.

TO FIND THE CORRECT NUMBER OF THE PART YOU NEED: FOLLOW THE INSTRUCTIONS BELOW

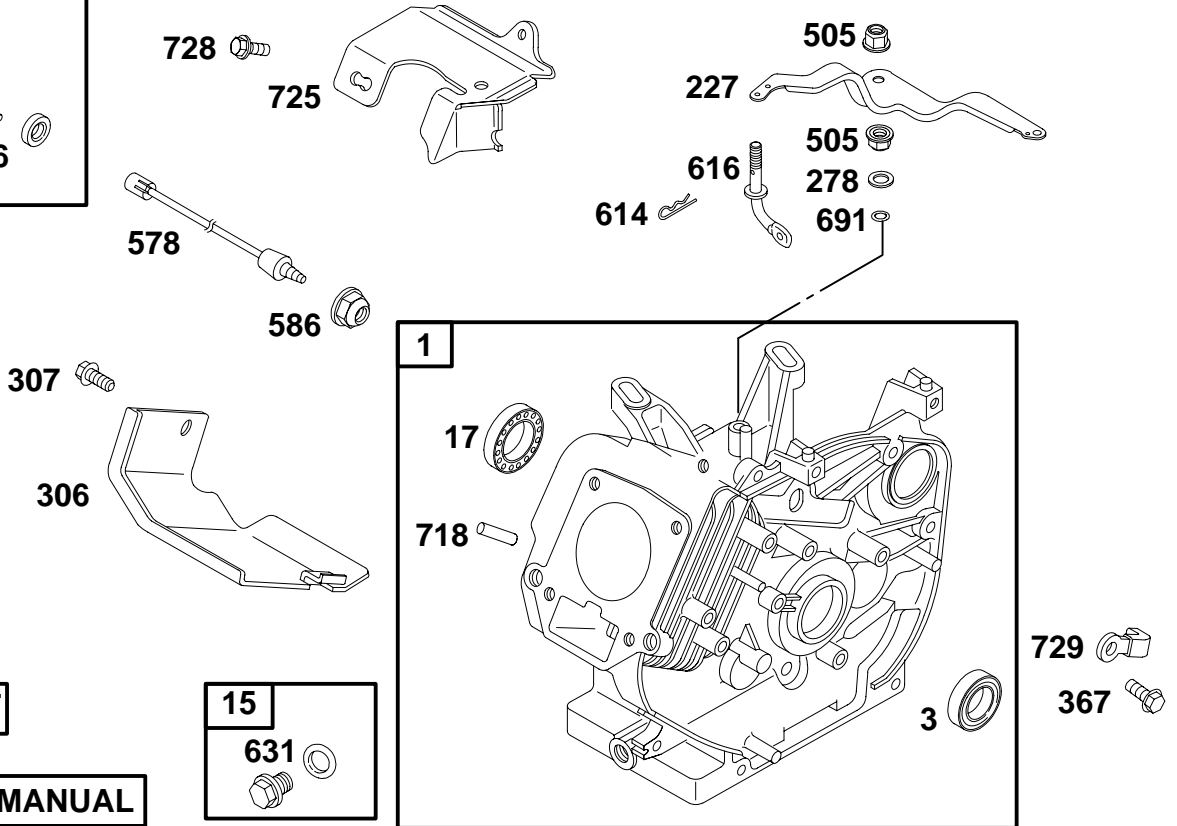
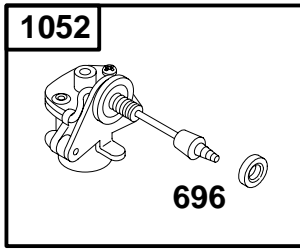
- A. Refer to Engine Model, Type and Code Number that is stamped on the blower housing of engine. Engine type numbers such as 0123 01 are listed only as 0123 in most instances. The two digits (01 or 02, etc.) to the right of the space may be required for more accurate parts identification in some instances. Select the Illustrated Parts List covering the correct Model Series and Type Number.
- B. Refer to the Illustrations and compare the original part with Illustration. The number next to the illustration is the Reference Number. Assemblies include all parts shown in frames. All parts shown in assembly frames having individual reference numbers can be purchased separately.
- C. After the Reference Number has been identified, refer to the Numerical text, where Reference and Primary Part Number are listed. **THE PRIMARY PART IS USED ON ALL TYPE NUMBERS EXCEPT THOSE TYPE NUMBERS UNDER "NOTE."**
- D. If a "Note" appears below the Primary Part Number, it means that this part differs from the Primary Part for certain types. If your Type number is listed under "Note," order the part referred to at the "Note."
- E. If your Engine Type Number does not appear after any part number listed under "Note," use the Primary Part Number.
- F. For Engine Type Numbers not covered by this book, check other Parts Lists having the same engine model or contact your source of supply.

PRINTED IN U.S.A.



COPYRIGHT by BRIGGS & STRATTON CORPORATION
All rights reserved. No part of this material may be reproduced or transmitted, in any form or by any means, electronic or mechanical, including photocopying, recording or by any information storage and retrieval system, without permission in writing from Briggs & Stratton Corporation.

117400 to 117499



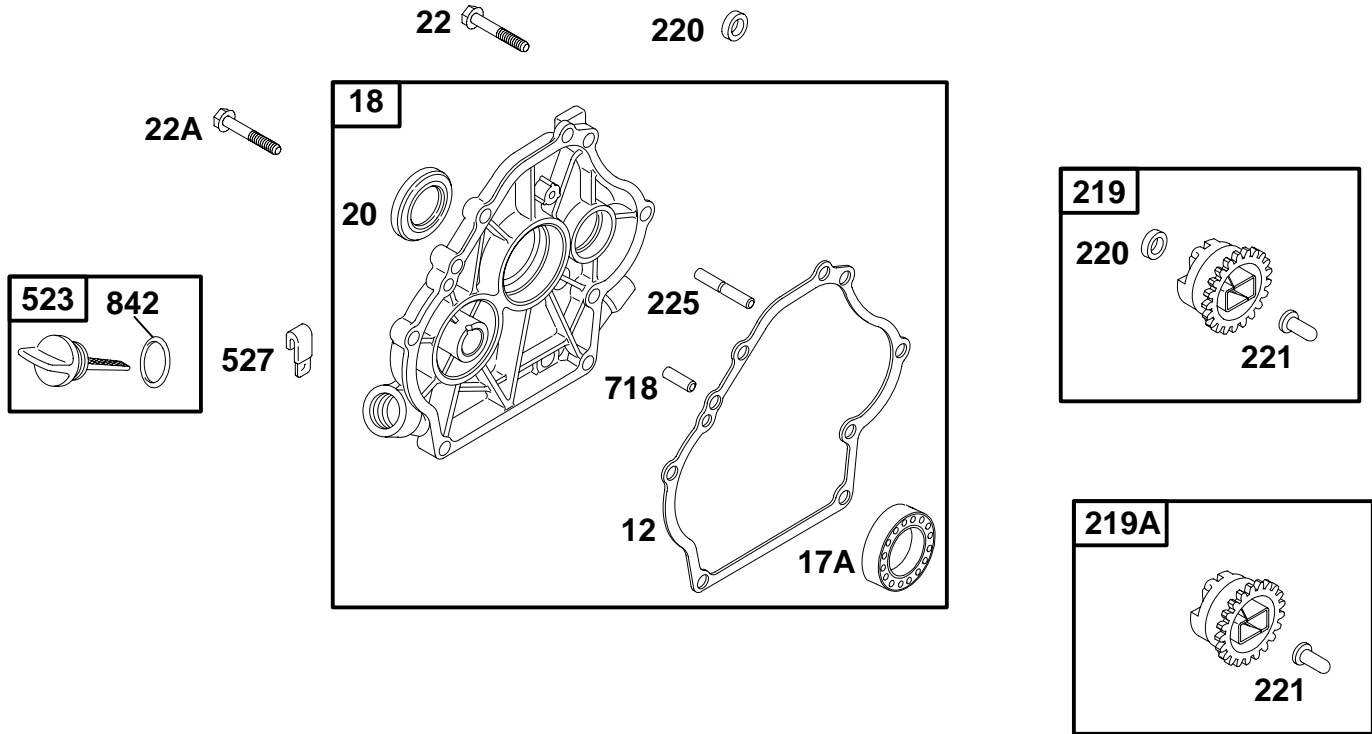
1019 LABEL KIT

1058 OWNER'S MANUAL

REF. NO.	PART NO.	DESCRIPTION	REF. NO.	PART NO.	DESCRIPTION	REF. NO.	PART NO.	DESCRIPTION
1	715001	Cylinder Assembly Note 715300 Cylinder Assembly Used on Type No(s). 0134, 0135, 0155, 0180, 0181, 0187, 0189, 0535, 0580, 0582, 0598. 715301 Cylinder Assy. Used on Type No(s). 0239, 0595, 0596, 0600.	306	710063	Shield-Cylinder	728	710023	Screw (Heat Shield)
3	*710000	Seal-Oil (Magneto Side)	307	710023	Screw (Cylinder Shield)	729	710083	Clip-Wire
15	715000	Plug-Oil Drain	367	710023	Screw (Wire Clip)	1019	715031	Kit-Label
17	710003	Bearing-Ball	505	710059	Nut (Governor Control Lever)	1052	715353	Sensor-Oil
227	710051	Lever-Governor Control	578	710308	Wire Assembly (Oil Sensor)	1058	273678	Owner's Manual (Emissions Engines) (Used After Code Date 97063000). Note 273126 Owner's Manual (Emissions Engine) (Used Before Code Date 97070100). 272983 Owner's Manual (Used On Non Emissions Engines)
278	710058	Washer (Governor Control Lever)	586	710090	Nut (Oil Sensor)			
			614	710056	Pin-Cotter			
			616	710050	Crank-Governor			
			631	*710004	Washer (Oil Drain Plug)			
			691	*710055	Seal-Governor Shaft			
			696	*710091	O-Ring Seal (Oil Sensor)			
			718	710005	Pin-Locating			
			725	710102	Shield-Heat			

- Included in Carburetor Overhaul Kit-Ref. No. 121.
- ★ Included in Engine Gasket Set-Ref. No. 358.

- ◆ Included in Carburetor Gasket Set-Ref. No. 977.
- △ Included in Valve Gasket Set-Ref. No. 1095.



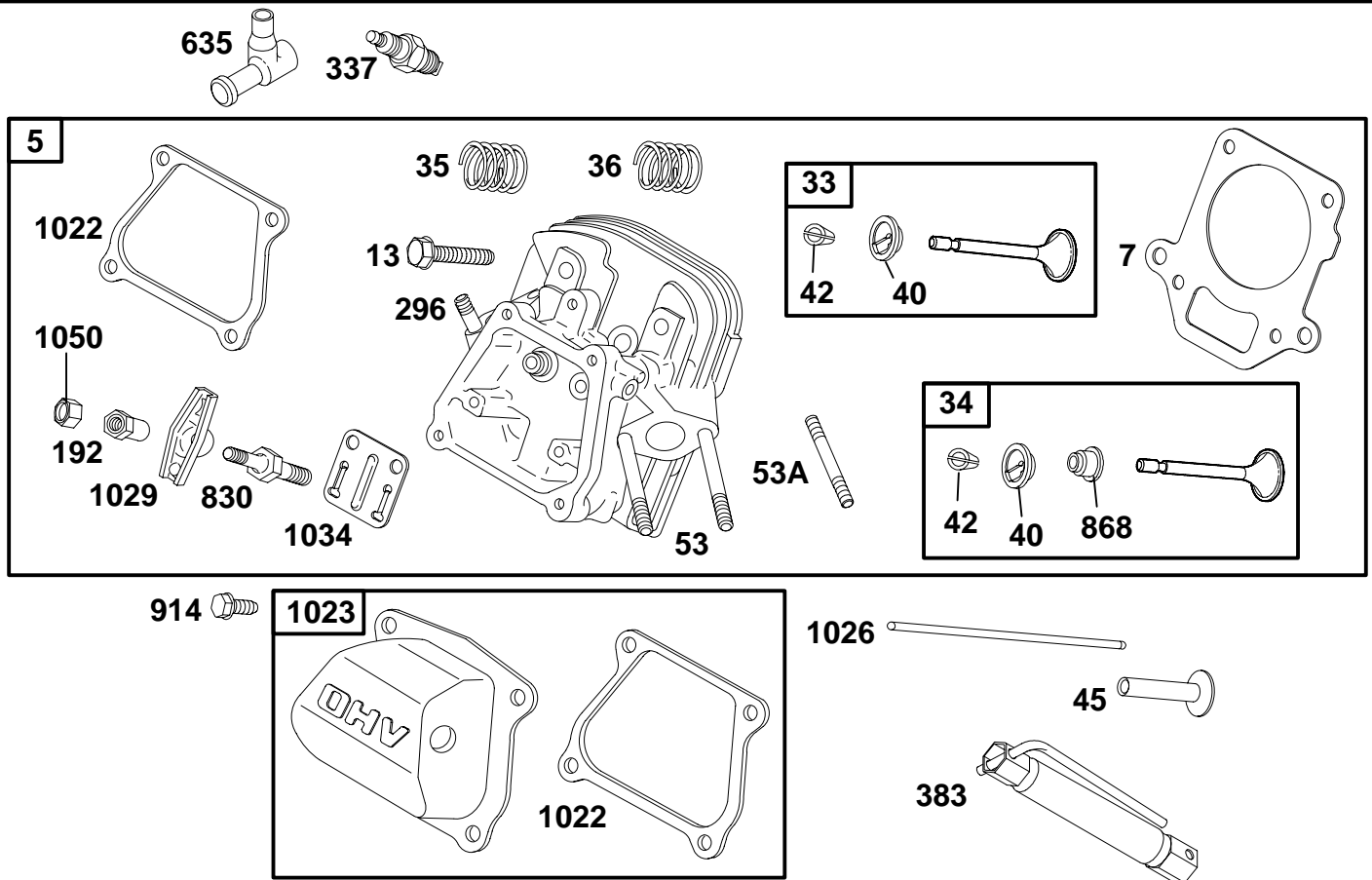
★ **REQUIRES SPECIAL TOOLS TO REPLACE. SEE REPAIR INSTRUCTION MANUAL.**

REF. NO.	PART NO.	DESCRIPTION	REF. NO.	PART NO.	DESCRIPTION	REF. NO.	PART NO.	DESCRIPTION
12	★710036	Gasket-Crankcase	20	★710031	Seal-Oil (PTO Side)	220	710035	Washer (Governor Gear)
17A	710594	Bearing-Ball Used on Type No(s). 0101, 0135, 0181, 0189, 0192, 0501, 0535, 0582.	22	710032	Screw (Crankcase Cover)	221	710027	Cup-Governor
18	715697	Cover-Crankcase Note 715698 Cover-Crankcase Used on Type No(s). 0502, 0102. 715699 Cover-Crankcase Used on Type No(s). 0101, 0135, 0181, 0189, 0192, 0501, 0535, 0582.	22A	710306	Screw (Crankcase Cover)	225	710028	Shaft-Governor Gear
			219	715696	Gear-Governor (Used After Code Date 99073100).	523	715588	Dipstick
			219A	715341	Gear-Governor (Used Before Code Date 99080100). Note 715006 Gear-Governor Used on Type No(s). 0036, 0134, 0135, 0155, 0236.	527	710100	Clamp-Tube
						718	710005	Pin-Locating
						842	★710029	Seal-O-Ring (Dipstick)

● Included in Carburetor Overhaul Kit-Ref. No. 121.
★ Included in Engine Gasket Set-Ref. No. 358.

◆ Included in Carburetor Gasket Set-Ref. No. 977.
△ Included in Valve Gasket Set-Ref. No. 1095.

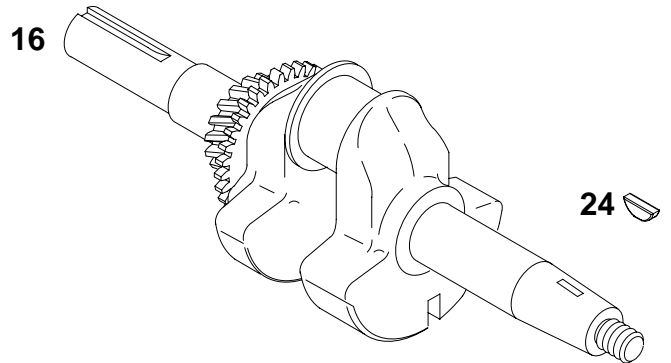
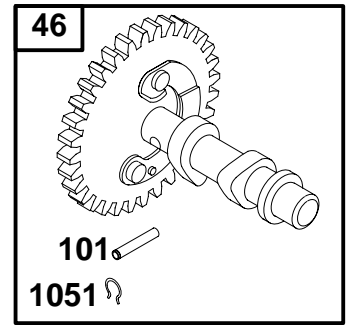
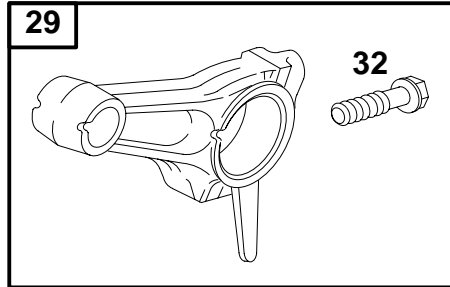
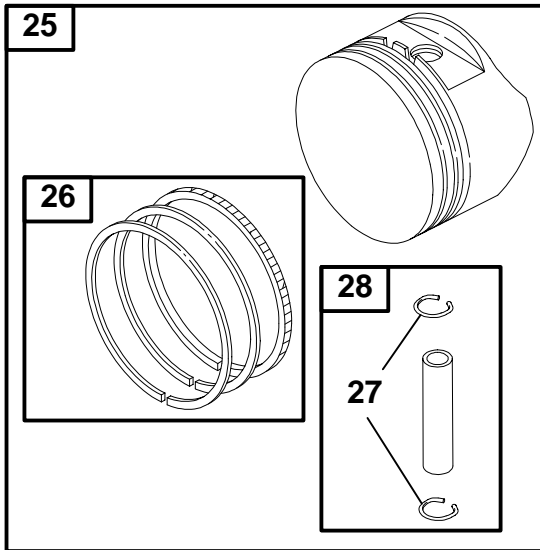
117400 to 117499



REF. NO.	PART NO.	DESCRIPTION	REF. NO.	PART NO.	DESCRIPTION	REF. NO.	PART NO.	DESCRIPTION
5	715004	Head-Cylinder	53	710116	Stud (Carburetor)	868	Δ710019	Seal-Valve
7	Δ710021	Gasket-Cylinder Head	53A	710148	Stud (Carburetor)	914	710023	Screw (Rocker Cover)
13	710020	Screw (Cylinder Head)	192	710015	Adjuster-Rocker Arm	1022	Δ710024	Gasket-Rocker Cover
33	715002	Valve-Exhaust	296	710099	Stud (Muffler)	1023	715005	Cover-Rocker Arm
34	715003	Valve-Intake	337	491055	Sparkplug	1026	710013	Rod-Push
35	710011	Spring-Valve (Intake)	383	19374	Wrench-Sparkplug	1029	710014	Arm-Rocker
36	710011	Spring-Valve (Exhaust)	635	710634	Boot-Sparkplug	1034	710017	Guide-Push Rod
40	710012	Retainer-Valve	830	710016	Stud (Rocker Arm)	1050	710007	Nut (Rocker Arm)
42	715130	Keeper-Valve						
45	710008	Tappet-Valve						

- Included in Carburetor Overhaul Kit-Ref. No. 121.
- ★ Included in Engine Gasket Set-Ref. No. 358.

- ◆ Included in Carburetor Gasket Set-Ref. No. 977.
- Δ Included in Valve Gasket Set-Ref. No. 1095.

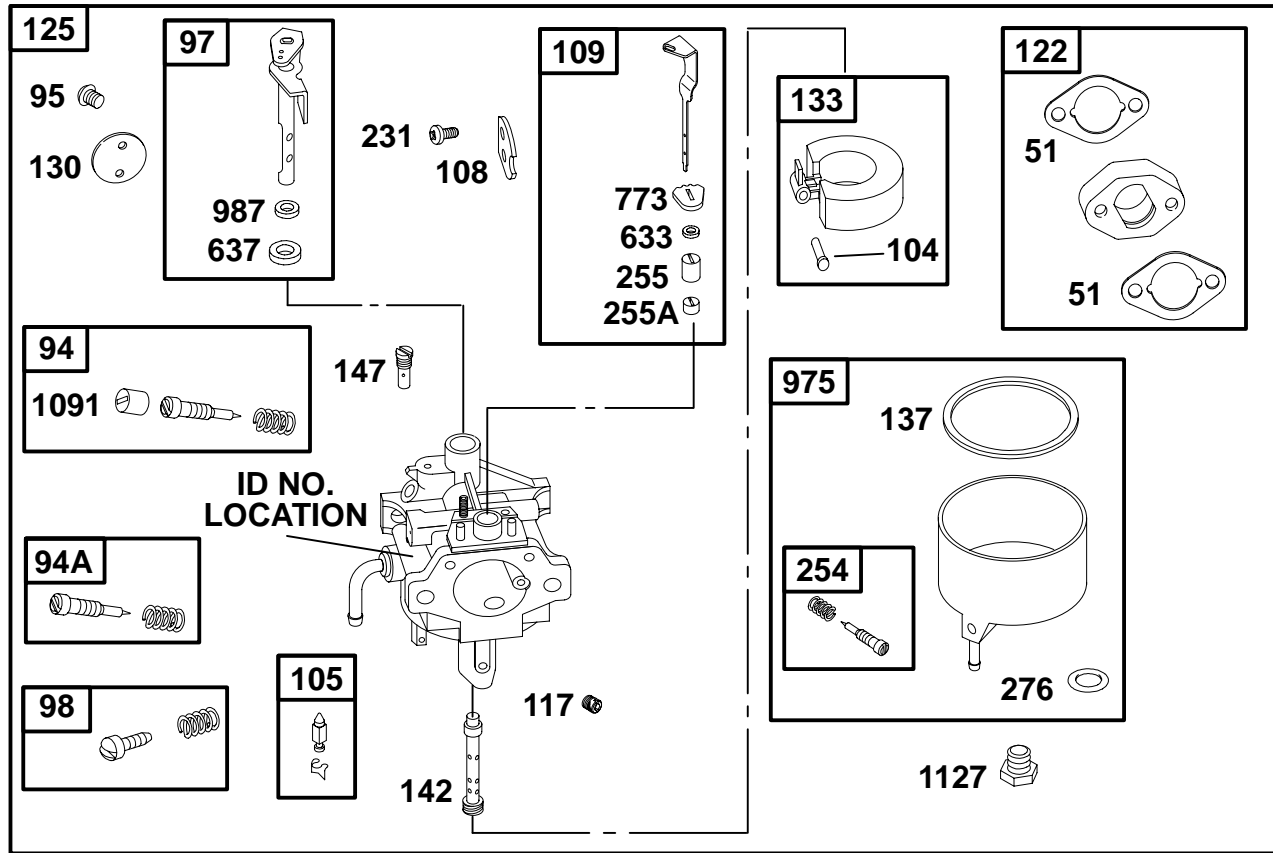


REF. NO.	PART NO.	DESCRIPTION	REF. NO.	PART NO.	DESCRIPTION	REF. NO.	PART NO.	DESCRIPTION	
16	715240	Crankshaft (SAE 3/4") Note 715238 Crankshaft (SAE 3/4") Used on Type No(s). 0550, 0553. 715239 Crankshaft (SAE 5/8") Used on Type No(s). 0235, 0239. 715044 Crankshaft (2:1 Gear Reduction) Used on Type No(s). 0101, 0135, 0181, 0189, 0192, 0501, 0535, 0582. 715241 Crankshaft (SAE Taper) Used on Type No(s). 0238, 0281, 0552, 0583, 0595. 715243 Crankshaft (SAE Keyway 7/8") Used on Type No(s). 0260.							
					715351 Crankshaft (JIS Keyway) Used on Type No(s). 0502. 715701 Crankshaft (SAE Step & Thread) Used on Type No(s). 0597.				
			24	710037	Key-Flywheel				
			25	715020	Piston Assembly (Standard) Note 715021 Piston Assembly (.010" O.S.) 715022 Piston Assembly (.020" O.S.)				
			26	715016	Ring Set (Standard) Note 715017 Ring Set (.010" O.S.) 715018 Ring Set (.020" O.S.)				
			27	710040	Lock-Piston Pin				
						28	715019	Pin-Piston (Standard)	
						29	715011	Rod-Connecting (Standard)	
								Note 715012 Rod-Connecting (020" Undersize)	
						32	710041	Screw (Connecting Rod)	
						46	715250	Camshaft Note 715045 Camshaft Used on Type No(s). 0101, 0135, 0181, 0189, 0192, 0501, 0535, 0582.	
						101	710616	Pin-Shaft Note 710340 Pin-Shaft Used on Type No(s). 0101, 0135, 0181, 0189, 0192, 0501, 0535, 0582.	
						1051	710039	Ring-Retaining	

● Included in Carburetor Overhaul Kit-Ref. No. 121.
 ★ Included in Engine Gasket Set-Ref. No. 358.

◆ Included in Carburetor Gasket Set-Ref. No. 977.
 △ Included in Valve Gasket Set-Ref. No. 1095.

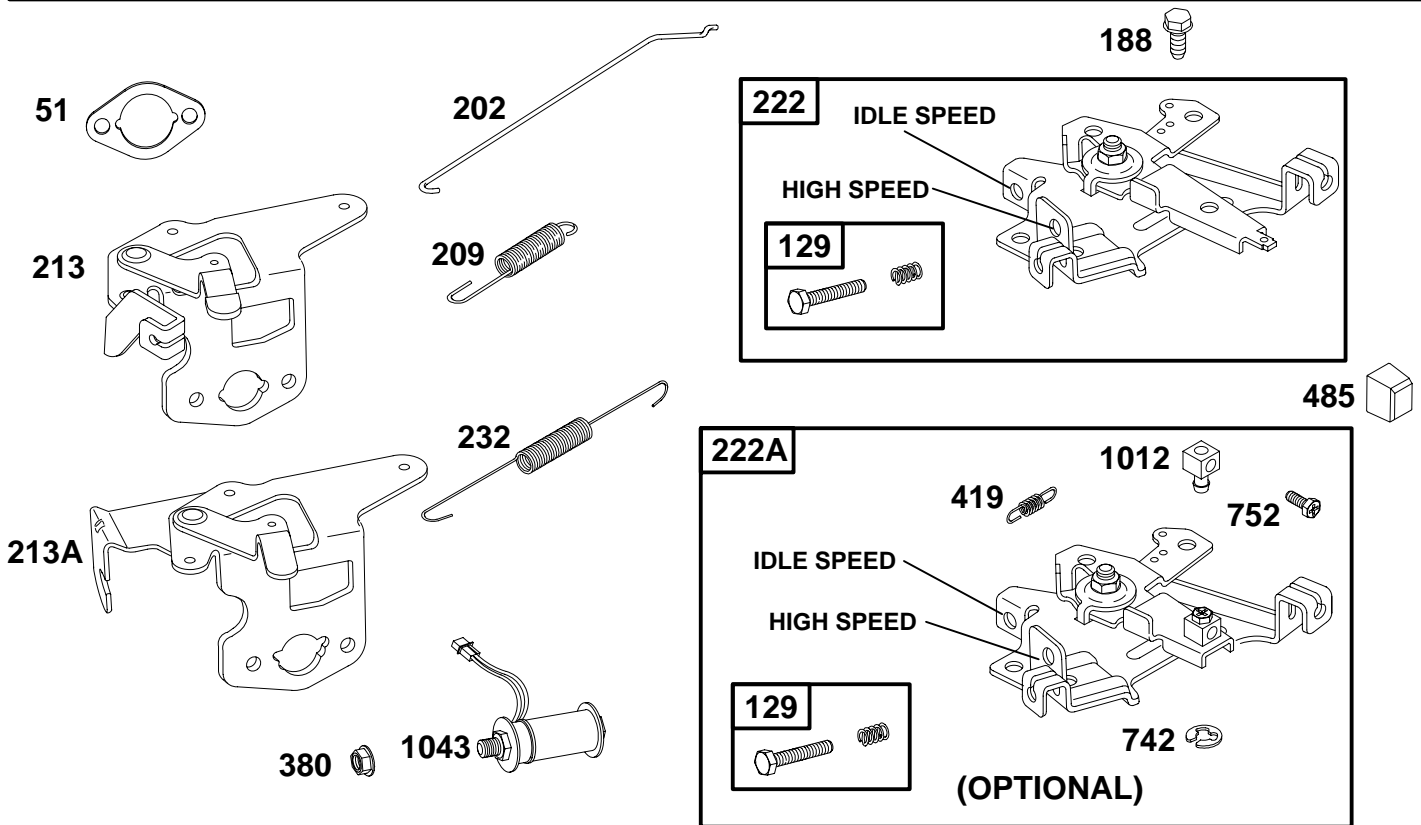
117400 to 117499



REF. NO.	PART NO.	DESCRIPTION	REF. NO.	PART NO.	DESCRIPTION	REF. NO.	PART NO.	DESCRIPTION
51**Δ	710060	Gasket-Intake	125	715520	Carburetor (Carb. ID No. GE18AA) ———— Note ————	147	●710188	Jet-Pilot ———— Note ————
94	715293	Kit-Idle Mixture (Carb. ID No. G188AA, GE18AA, GE18BX)		715436	Carburetor (Carb. ID No. C181AA)		710783	Jet-Pilot (High Altitude)
94A	715076	Kit-Idle Mixture (Carb. ID No. C181AA)		715564	Carburetor (Carb. ID No. G188AA)	231	710191	Screw (Choke Valve)
95	94466	Screw (Throttle Valve)		715656	Carburetor (Carb. ID No. GE18BX)	254	492274	Drain-Carburetor Bowl
97	715141	Shaft-Throttle				255	●710177	Bushing-Choke Shaft
98	715074	Kit-Idle Speed				255A	●710179	Bushing-Choke Shaft
104	●710195	Pin-Float Hinge	130	710290	Valve-Throttle	276	◆◆	Washer-Sealing (Sold in Kit Only)
105	●715075	Valve-Float Needle	133	715079	Float-Carburetor	633	◆◆	Seal-Choke Shaft (Sold in Kit Only)
108	710178	Valve-Choke	137	◆◆	Gasket-Float Bowl (Sold in Kit Only)	637	◆◆	Washer (Throttle Shaft, Sold in Kit Only)
109	715140	Shaft-Choke	142	●710286	Nozzle-Carburetor ———— Note ————	773	●710175	Retainer
117	●710649	Jet-Main		710894	Nozzle-Carburetor (Carb ID No. G188AA)	975	715050	Bowl-Float
		710782				987	●710185	Seal-Throttle Shaft
		710895				1091	710485	Cap-Limiter
		———— Note ————				1127	710197	Screw (Float Bowl Mounting)
		710895						
122	715034	Spacer-Carburetor						

● Included in Carburetor Overhaul Kit-Ref. No. 121.
 * Included in Engine Gasket Set-Ref. No. 358.

◆ Included in Carburetor Gasket Set-Ref. No. 977.
 Δ Included in Valve Gasket Set-Ref. No. 1095.

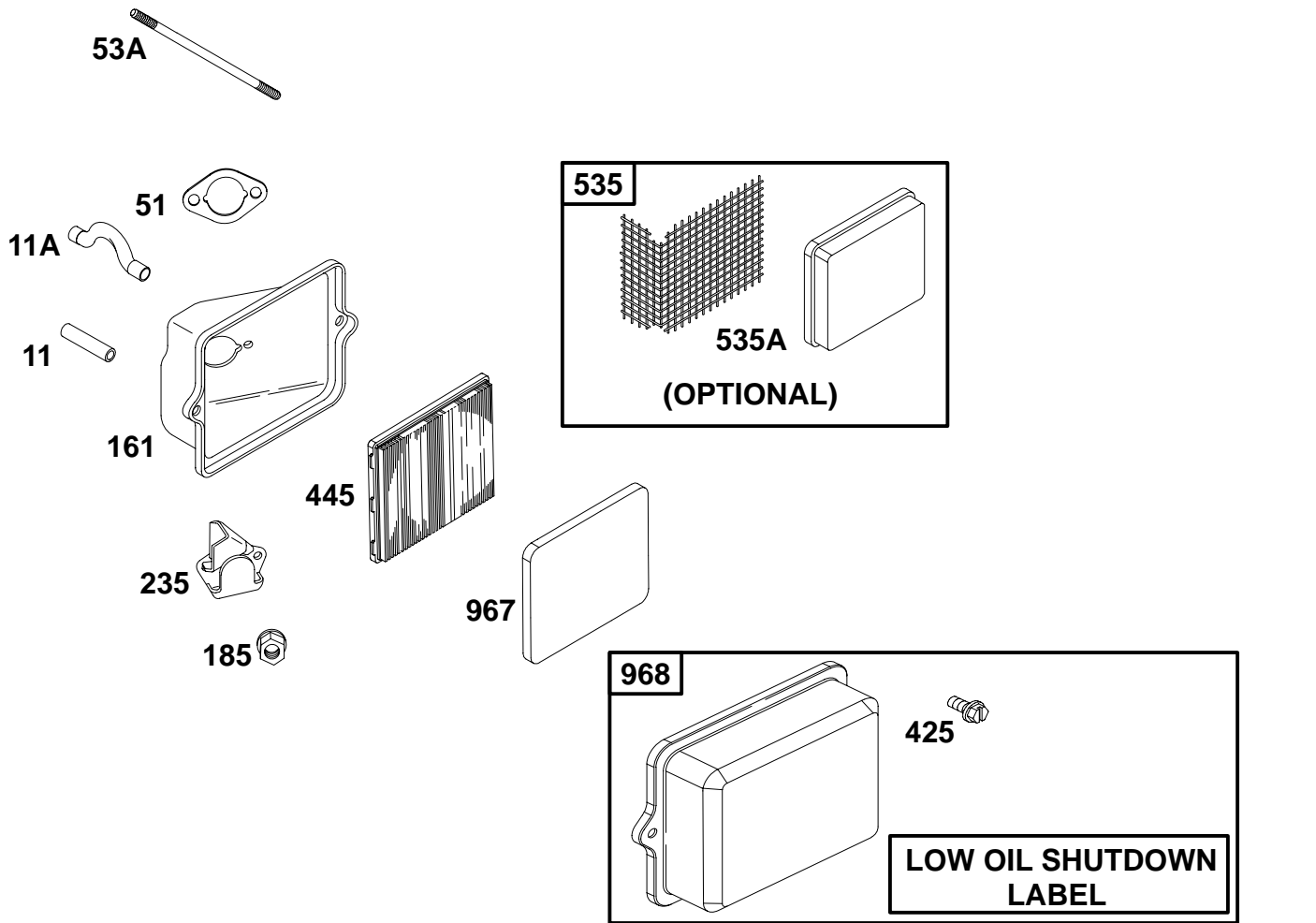


REF. NO.	PART NO.	DESCRIPTION	REF. NO.	PART NO.	DESCRIPTION	REF. NO.	PART NO.	DESCRIPTION
51	710060	Gasket-Intake		710727	Spring – Governor		715046	Bracket- Control
129	715024	Screw/Spring- Governor Speed		710728	Spring- Governor			Used on Type No(s). 0101, 0135, 0181, 0192, 0238, 0281, 0501, 0552, 0582, 0583, 0595.
		Note						
		715170 Screw/Spring- Governor Speed						
		Used on Type No(s). 0135, 0181, 0238, 0281, 0501, 0552, 0582, 0583, 0595.	213	710499	Bracket- Choke Control	222A	715676	Bracket- Control
188	710057	Screw (Control Bracket)	213A	710500	Bracket- Choke Control			Note
202	710052	Link- Mechanical Governor			Used on Type No(s). 0281.			715296 Bracket- Control
209	710725	Spring- Governor						Used on Type No(s). 0530.
		Note	222	715025	Bracket- Control	232	710053	Spring- Governor Link
		710726 Spring- Governor			Note	380	710081	Nut (Electro Magnet)
		Used on Type No(s). 0101, 0135, 0181, 0238, 0281, 0501, 0535, 0582.			715747 Bracket- Control	419	710475	Spring- Return
					Used on Type No(s). 0586.	485	280715	Knob- Control
						742	710477	Retainer- E Ring
						752	710478	Screw (Link Retainer)
						1012	710855	Retainer- Link
						1043	692955	Magnet- Electro
								Used on Type No(s). 0281.

● Included in Carburetor Overhaul Kit-Ref. No. 121.
 ★ Included in Engine Gasket Set-Ref. No. 358.

◆ Included in Carburetor Gasket Set-Ref. No. 977.
 Δ Included in Valve Gasket Set-Ref. No. 1095.

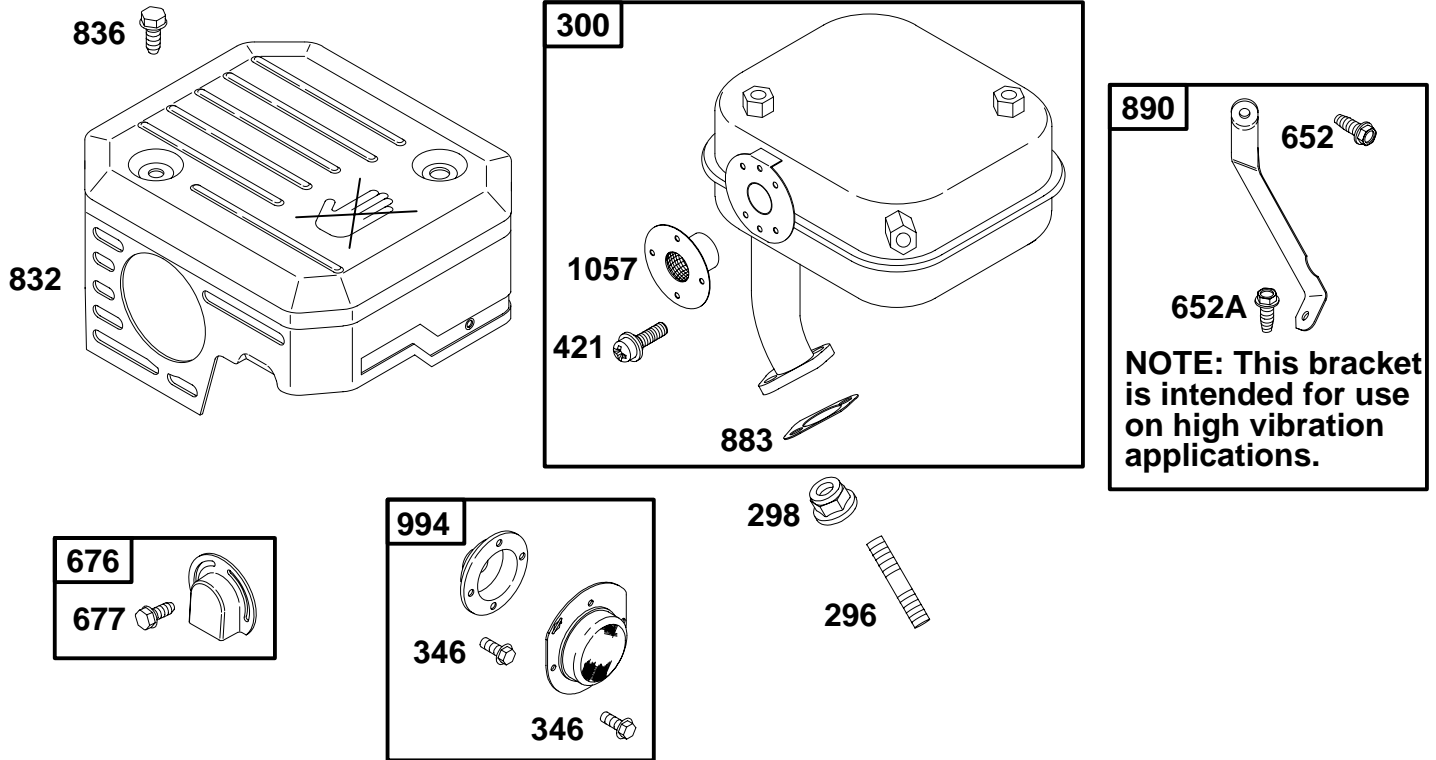
117400 to 117499



REF. NO.	PART NO.	DESCRIPTION	REF. NO.	PART NO.	DESCRIPTION	REF. NO.	PART NO.	DESCRIPTION
11	710115	Tube-Breather	185	710068	Nut (Air Cleaner Base)	535	715511	Filter-Air Cleaner Foam
11A	710450	Tube-Breather Used on Type No(s). 0281.	235	710522	Shield-Fuel Spray	535A	691315	Filter-Air Cleaner Foam (Optional Foam Filter)
51	710060	Gasket-Intake	425	694515	Screw (Air Cleaner Cover)	967	491435	Filter-Prer Cleaner
53A	710148	Stud (Carburetor)	445	491588	Filter-Air Cleaner Cartridge	968	692321	Cover-Air Cleaner
161	710521	Base-Air Cleaner						

- Included in Carburetor Overhaul Kit-Ref. No. 121.
- ★ Included in Engine Gasket Set-Ref. No. 358.

- ◆ Included in Carburetor Gasket Set-Ref. No. 977.
- △ Included in Valve Gasket Set-Ref. No. 1095.

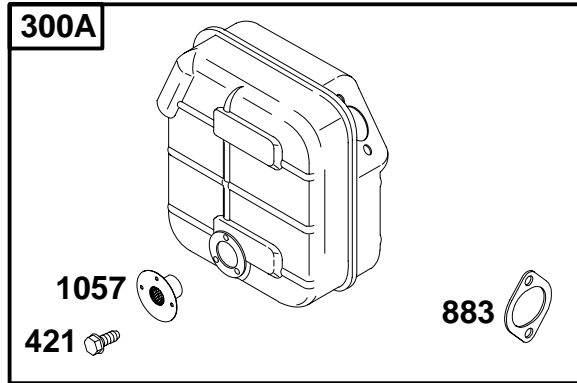
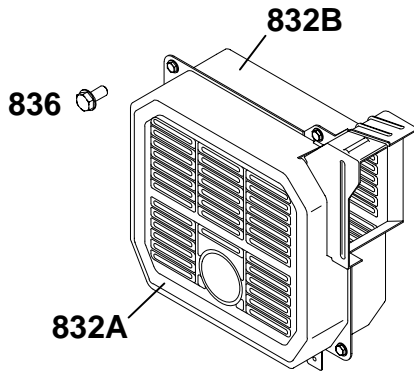


REF. NO.	PART NO.	DESCRIPTION	REF. NO.	PART NO.	DESCRIPTION	REF. NO.	PART NO.	DESCRIPTION
296	710099	Stud (Muffler)	652	710057	Screw (Support Bracket)	836	710074	Screw (Muffler Guard)
298	710090	Locknut-Muffler/Elbow	652A	710248	Screw (Support Bracket)	883	Δ★710082	Gasket-Exhaust
300	715435	Muffler (High Mount)	676	715230	Muffler Deflector	890	715319	Bracket-Support (Optional Use)
346	690661	Screw (Spark Arrestor)	677	710307	Screw (Muffler Deflector)	994	715491	Arrestor-Spark
421	710307	Screw (Outlet Screen)	832	710333	Guard-Muffler (High Mount)	1057	710329	Screen-Outlet

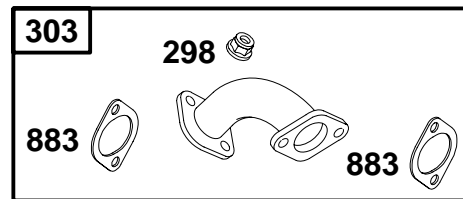
● Included in Carburetor Overhaul Kit-Ref. No. 121.
 ★ Included in Engine Gasket Set-Ref. No. 358.

◆ Included in Carburetor Gasket Set-Ref. No. 977.
 Δ Included in Valve Gasket Set-Ref. No. 1095.

117400 to 117499



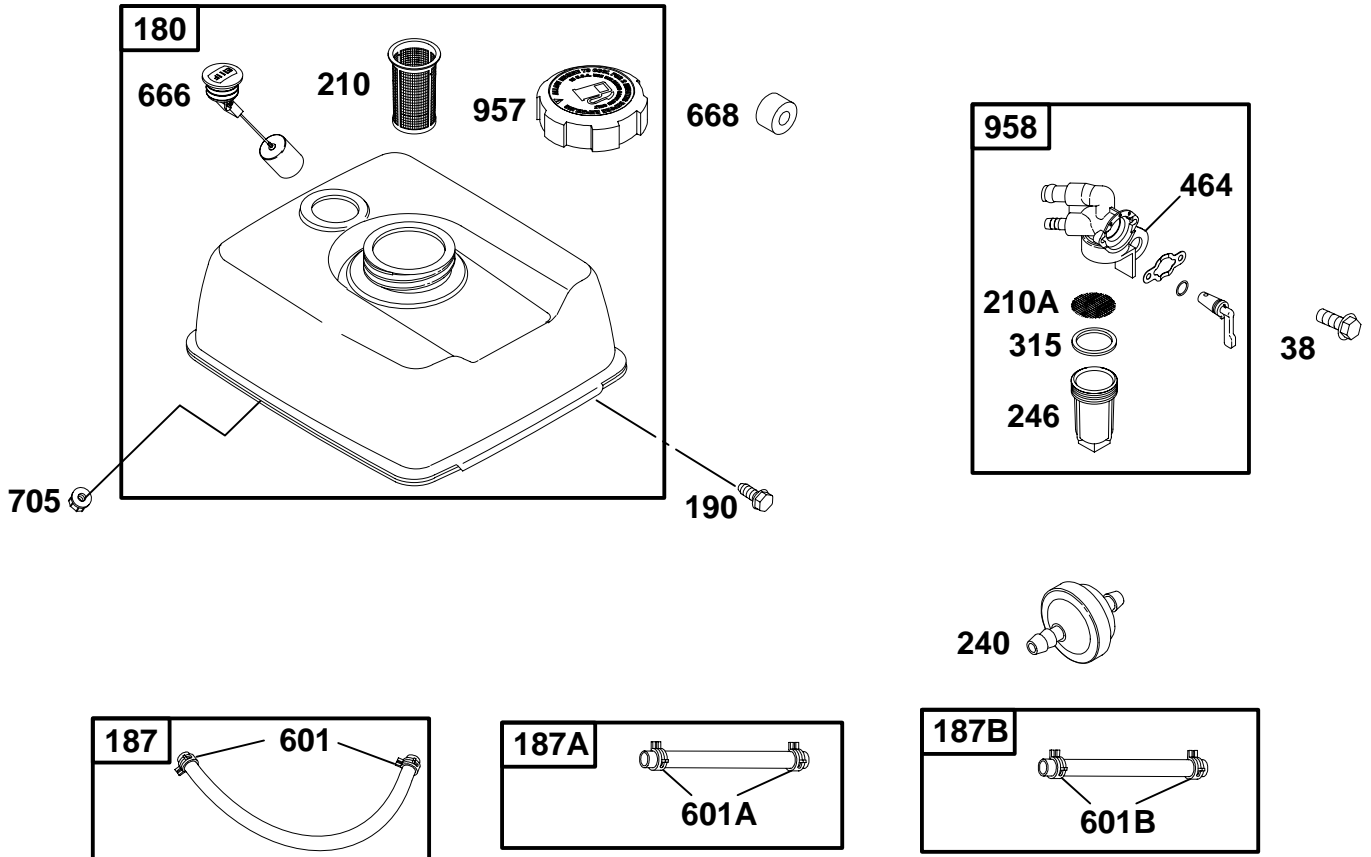
NOTE: This muffler is intended for replacement purposes only and is not to be used for retrofitting to engines with different exhaust systems.



REF. NO.	PART NO.	DESCRIPTION	REF. NO.	PART NO.	DESCRIPTION	REF. NO.	PART NO.	DESCRIPTION
298	710090	Locknut-Muffler/Elbow	421	710307	Screw (Outlet Screen)	832B	710794	Guard-Muffler (Low Mount, Rear)
300A	715602	Muffler-Exhaust (Low Mount)	832A	710793	Guard-Muffler (Low Mount, Front)	836	710074	Screw (Muffler Guard)
303	715604	Elbow-Exhaust (Low Mount)				883	Δ710082	Gasket-Exhaust
						1057	710329	Screen-Outlet

- Included in Carburetor Overhaul Kit-Ref. No. 121.
- ★ Included in Engine Gasket Set-Ref. No. 358.

- ◆ Included in Carburetor Gasket Set-Ref. No. 977.
- Δ Included in Valve Gasket Set-Ref. No. 1095.

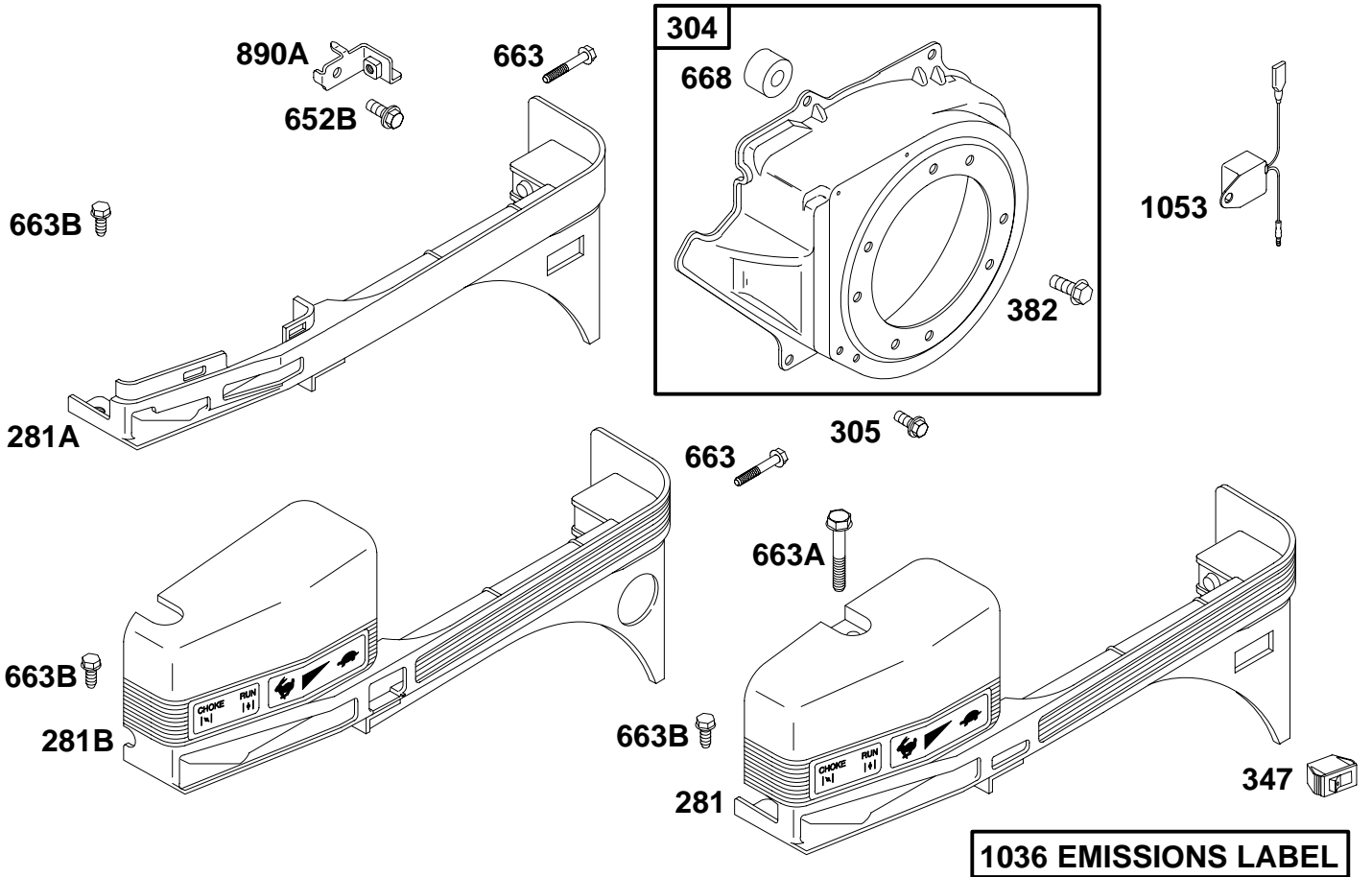


REF. NO.	PART NO.	DESCRIPTION	REF. NO.	PART NO.	DESCRIPTION	REF. NO.	PART NO.	DESCRIPTION
38	710160	Screw (Fuel Shut-Off Valve)	187B	298049	Line-Fuel (0.25 in. ID) (Carburetor To Filter) (Cut to Required Length)	464	★710069	Seal-O-Ring (Fuel Shut Off Valve)
180	715306	Tank-Fuel				601	710067	Clamp-Hose
187	715028	Line-Fuel (8mm ID) (Fuel Tank To Shut Off Valve) (Cut to Required Length)	190	710023	Screw (Fuel Tank)	601A	710075	Clamp-Hose
187A	715029	Line-Fuel (4mm ID) (Shut Off Valve To Carburetor) (Cut to Required Length)	210	710065	Strainer-Fuel	601B	95162	Clamp-Hose
			210A	710071	Strainer-Fuel	666	710066	Gauge-Fuel
			240	298090	Filter-Fuel	668	710159	Spacer (Fuel Tank)
			246	710070	Bowl-Fuel Filter	705	710068	Nut (Fuel Tank)
			315	★710072	Seal-O-Ring (Filter Bowl)	957	710490	Cap-Fuel Tank
						958	715027	Valve-Fuel Shut Off

● Included in Carburetor Overhaul Kit-Ref. No. 121.
 ★ Included in Engine Gasket Set-Ref. No. 358.

◆ Included in Carburetor Gasket Set-Ref. No. 977.
 Δ Included in Valve Gasket Set-Ref. No. 1095.

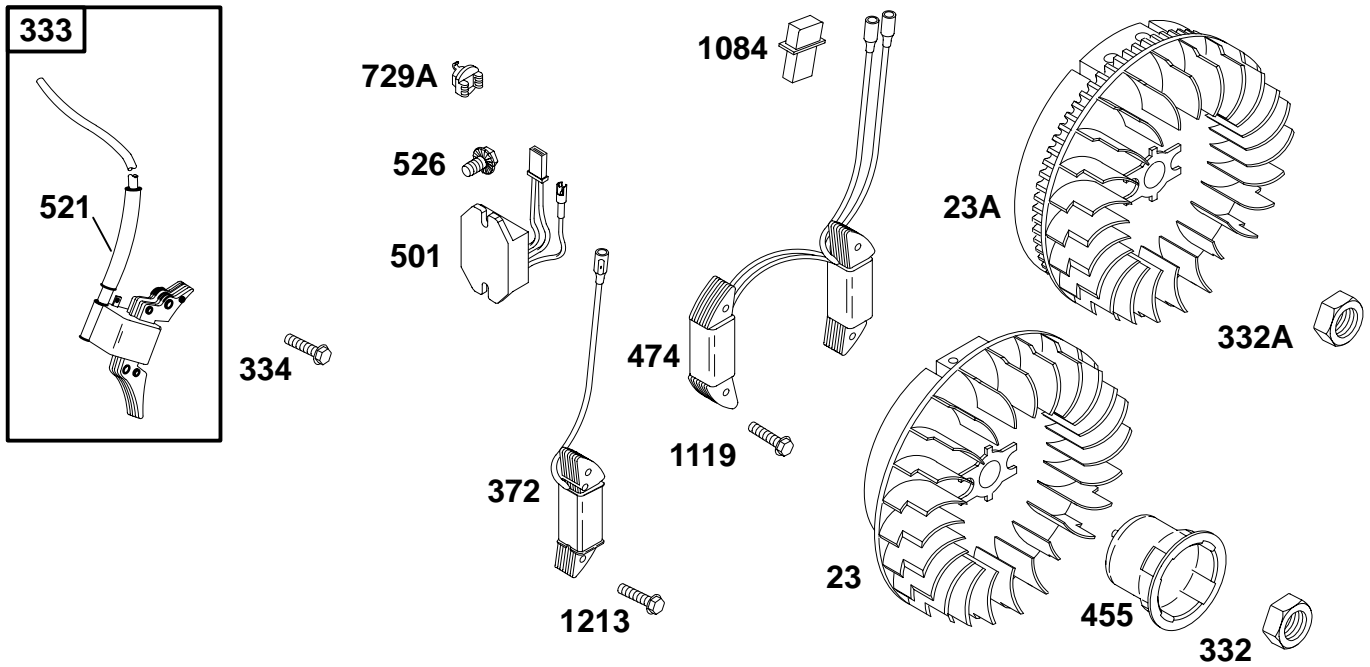
117400 to 117499



REF. NO.	PART NO.	DESCRIPTION	REF. NO.	PART NO.	DESCRIPTION	REF. NO.	PART NO.	DESCRIPTION
281	715313	Panel-Control	305	710023	Screw (Blower Housing)	1036	710899	Label-Emissions (Used After Code Date 99093000).
281A	710092	Panel-Control Used on Type No(s). 0281.	347	493521	Switch-Rocker			Note
281B	715314	Panel-Control Used on Type No(s). 0239, 0595.	382	710160	Screw (Fuel Filter)			710886 Label-Emissions (Used Before Code Date 99100100 and After Code Date 98123100).
304	715213	Housing-Blower	652B	710023	Screw (Support Bracket)			499339 Label-Emissions (Used Before Code Date 99010100 and After Code Date 97063100).
		Note	663	710095	Screw (Control Panel)			499338 Label-Emissions (Used Before Code Date 97070100).
		715212 Housing-Blower Used on Type No(s). 0101, 0135, 0181, 0189, 0192, 0501, 0535, 0582.	663A	710096	Screw (Control Panel)			
		715703 Housing-Blower Used on Type No(s). 0242.	663B	710234	Screw (Control Panel)			
			668	710159	Spacer (Blower Housing)			
			890A	715136	Bracket-Support Used on Type No(s). 0281.			
						1053	710305	Module-Oil Gard®

- Included in Carburetor Overhaul Kit-Ref. No. 121.
- ★ Included in Engine Gasket Set-Ref. No. 358.

- ◆ Included in Carburetor Gasket Set-Ref. No. 977.
- △ Included in Valve Gasket Set-Ref. No. 1095.

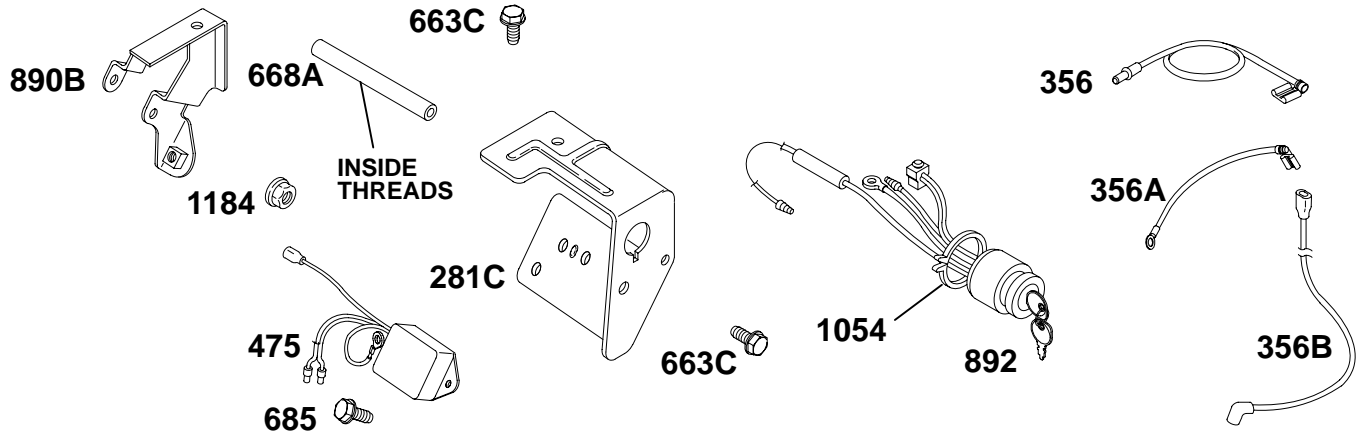


REF. NO.	PART NO.	DESCRIPTION	REF. NO.	PART NO.	DESCRIPTION	REF. NO.	PART NO.	DESCRIPTION
23	710043	Flywheel Note 710128 Flywheel Used on Type No(s). 0101, 0135, 0181, 0189, 0192, 0501, 0535, 0582. 710897 Flywheel Used on Type No(s). 0155, 0555. 715702 Flywheel Used on Type No(s). 0242. 715260 Flywheel Used on Type No(s). 0558.	332A	710345	Nut (Flywheel) Used on Type No(s). 0239, 0595, 0596, 0600.	474	715255	Alternator (4 Amp) Used on Type No(s). 0239, 0558, 0595, 0596, 0600. Note 715194 Alternator (10 Amp) Used on Type No(s). 0242.
23A	715302	Flywheel Used on Type No(s). 0239, 0595, 0596, 0600.	333	715023	Armature–Magneto Note 710044 Armature– Magneto Used on Type No(s). 0155, 0555.	501	394890	Regulator Used on Type No(s). 0242.
332	710048	Nut (Flywheel)	334	710047	Screw (Magneto Armature)	521	710045	Shield–Cable
			372	710896	Coil–Lighting Used on Type No(s). 0155, 0555.	526	710057	Screw (Regulator Mounting)
			455	710277	Cup–Flywheel Note 710366 Cup–Flywheel Used on Type No(s). 0101, 0135, 0181, 0189, 0192, 0501, 0535, 0582.	729A	710046	Clip–Wire
						1084	710386	Connector–Terminal Used on Type No(s). 0242.
						1119	710047	Screw (Alternator)
						1213	710047	Screw (Lighting Coil)

● Included in Carburetor Overhaul Kit–Ref. No. 121.
 ★ Included in Engine Gasket Set–Ref. No. 358.

◆ Included in Carburetor Gasket Set–Ref. No. 977.
 △ Included in Valve Gasket Set–Ref. No. 1095.

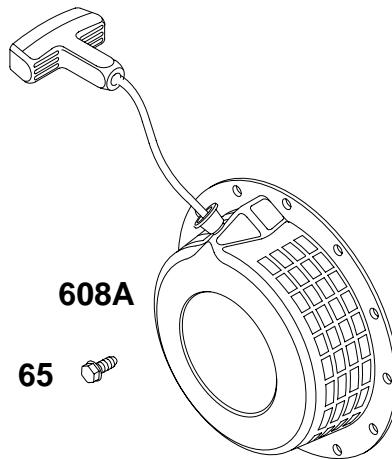
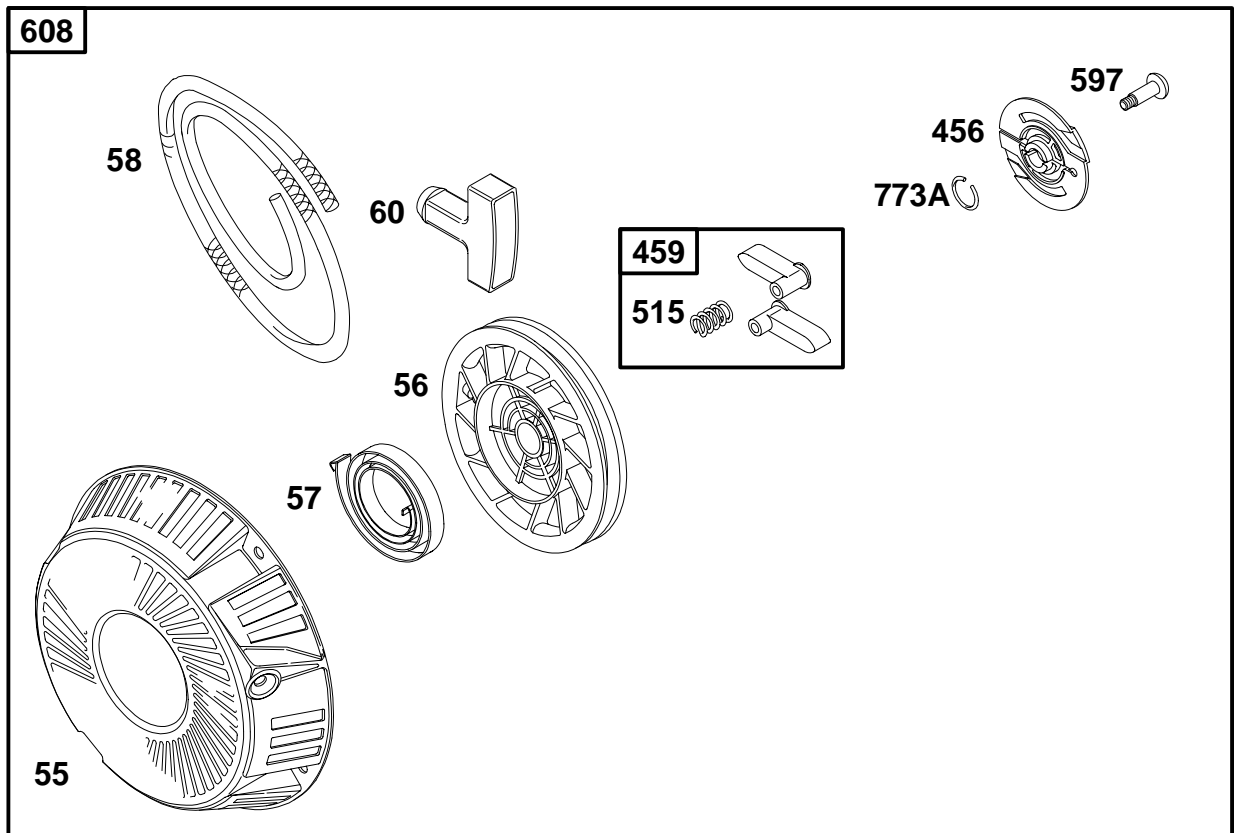
117400 to 117499



REF. NO.	PART NO.	DESCRIPTION	REF. NO.	PART NO.	DESCRIPTION	REF. NO.	PART NO.	DESCRIPTION
281C	710479	Panel—Control	663C	710074	Screw	892	715199	Switch—Key (Includes Keys)
356	710120	Wire—Stop	668A	710443	Spacer	1054	710349	Tie—Cable
356A	710087	Wire—Stop	685	710089	Screw (Rectifier)	1184	710068	Nut (Support Bracket)
356B	710324	Wire—Stop	890B	710441	Bracket—Support			
475	715200	Rectifier (Regulator Mounting)						

- Included in Carburetor Overhaul Kit—Ref. No. 121.
- ★ Included in Engine Gasket Set—Ref. No. 358.

- ◆ Included in Carburetor Gasket Set—Ref. No. 977.
- △ Included in Valve Gasket Set—Ref. No. 1095.

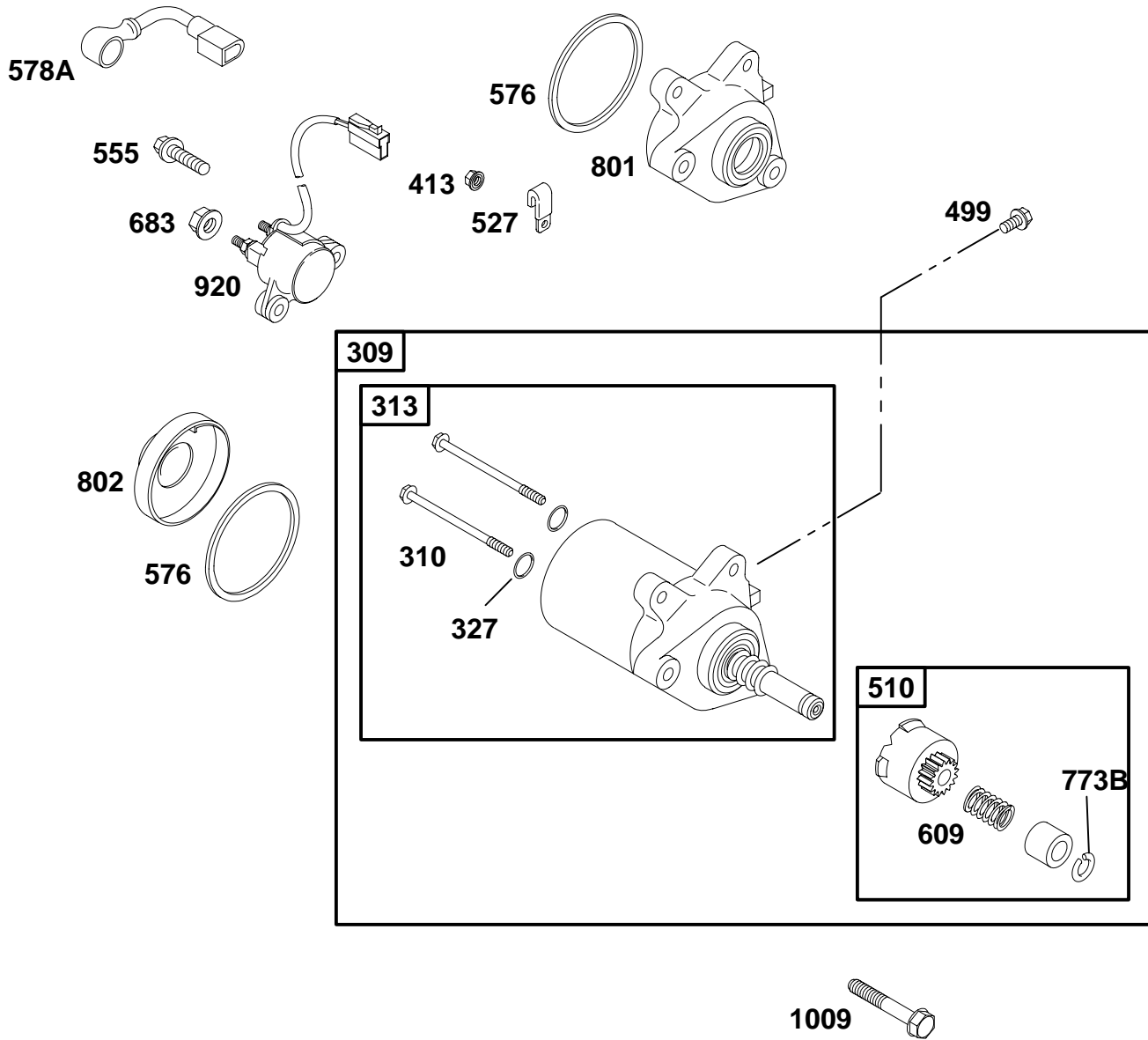


REF. NO.	PART NO.	DESCRIPTION	REF. NO.	PART NO.	DESCRIPTION	REF. NO.	PART NO.	DESCRIPTION
55	715132	Housing—Rewind Starter	65	710074	Screw (Rewind Starter)	608A	715128	Starter—Rewind Used on Type No(s). 0101, 0135, 0181, 0189, 0192, 0501, 0535, 0582.
56	710274	Pulley—Starter	456	710272	Plate—Pawl Friction	773A	690875	Retainer
57	710270	Spring—Rewind Starter	459	715256	Pawl—Ratchet			
58	66574	Rope—Starter (Cut to Required Length)	515	691528	Spring—Pawl			
60	490652	Grip—Starter Rope	597	690876	Screw (Pawl Friction Plate)			
			608	715133	Starter—Rewind			

- Included in Carburetor Overhaul Kit—Ref. No. 121.
- ★ Included in Engine Gasket Set—Ref. No. 358.

- ◆ Included in Carburetor Gasket Set—Ref. No. 977.
- △ Included in Valve Gasket Set—Ref. No. 1095.

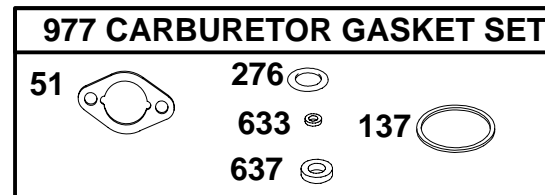
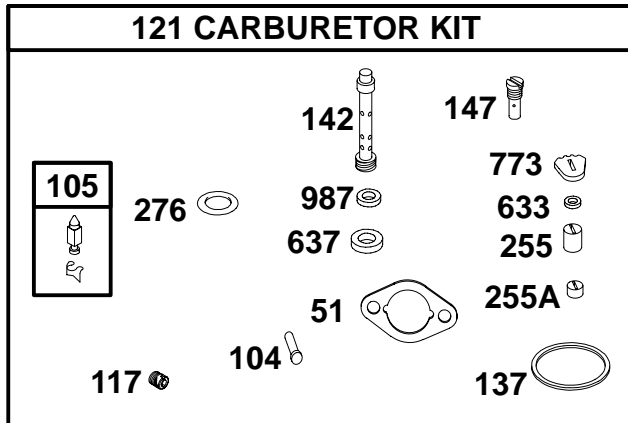
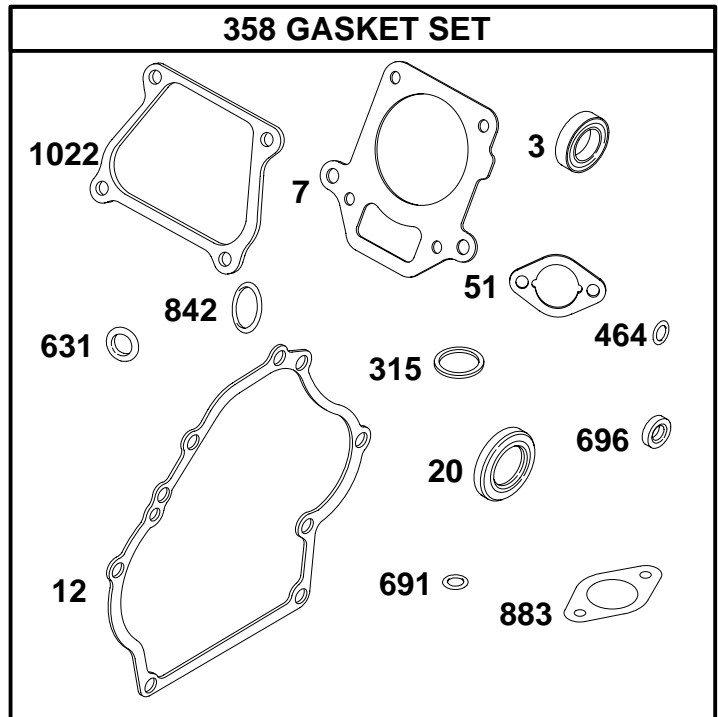
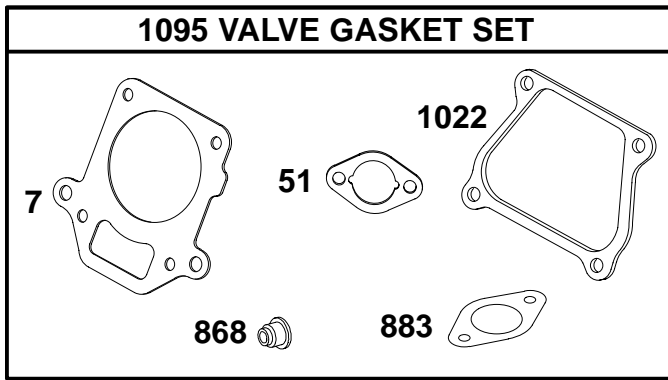
117400 to 117499



REF. NO.	PART NO.	DESCRIPTION	REF. NO.	PART NO.	DESCRIPTION	REF. NO.	PART NO.	DESCRIPTION
309	715633	Motor-Starter	499	710853	Screw (Starter Sub Assembly)	578A	710847	Wire Assembly (Starter Solenoid)
310	710838	Bolt (Starter Motor)	510	715634	Drive-Starter Assembly	609	710828	Spring
313	715636	Starter Sub Assembly	527	710100	Clamp-Tube	683	710849	Nut (Starter Solenoid)
327	710841	Washer (Starter Sub Assembly)	555	710845	Screw (Starter Solenoid)	773B	710830	Retainer
413	710081	Nut (Starter Motor)	576	710834	Seal-O-Ring (Starter Sub Assembly)	801	710836	Cap-Drive (Includes Brush Set)
						802	710832	Cap-End
						920	710843	Solenoid-Starter
						1009	710348	Screw (Starter Motor)

- Included in Carburetor Overhaul Kit-Ref. No. 121.
- ★ Included in Engine Gasket Set-Ref. No. 358.

- ◆ Included in Carburetor Gasket Set-Ref. No. 977.
- △ Included in Valve Gasket Set-Ref. No. 1095.



REF. NO.	PART NO.	DESCRIPTION	REF. NO.	PART NO.	DESCRIPTION	REF. NO.	PART NO.	DESCRIPTION
	3	★710000 Seal—Oil (Magneto Side)		255A	●710179 Bushing—Choke Shaft		773	●710175 Retainer
	7	Δ★710021 Gasket—Cylinder Head		276	●◆ Washer—Sealing (Sold in Kit Only)		842	★710029 Seal—O-Ring (Dipstick)
	12	★710036 Gasket—Crankcase		315	★710072 Seal—O-Ring (Filter Bowl)		868	Δ710019 Seal—Valve
	20	★710031 Seal—Oil (PTO Side)		358	715032 Gasket Set—Engine		883	Δ★710082 Gasket—Exhaust
	51	★★710060 Gasket—Intake		464	★710069 Seal—O-Ring (Shut Off Valve)		977	715081 Gasket Set—Carburetor
	104	●710195 Pin—Float Hinge		631	★710004 Washer (Oil Drain Plug)		987	●710185 Seal—Throttle Shaft
	105	●715075 Valve—Float Needle		633	●◆ Seal—Choke Shaft (Sold in Kit Only)		1022	Δ★710024 Gasket—Rocker Cover
	117	●710649 Jet—Main		637	●◆ Washer (Throttle Shaft, Sold in Kit Only)		1095	715704 Gasket Set—Valve (Used After Code Date 99080200).
	121	715437 Kit—Carburetor Overhaul		691	★710055 Seal—Governor Shaft			Note
	137	●◆ Gasket—Float Bowl (Sold in Kit Only)		696	★710091 Seal—O-Ring (Oil Sensor)			715048 Gasket Set—Valve (Used Before Code Date 99080300).
	142	●710286 Nozzle—Carburetor						
	147	●710188 Jet—Pilot						
	255	●710177 Bushing—Choke Shaft						

● Included in Carburetor Overhaul Kit—Ref. No. 121.
 ★ Included in Engine Gasket Set—Ref. No. 358.

◆ Included in Carburetor Gasket Set—Ref. No. 977.
 Δ Included in Valve Gasket Set—Ref. No. 1095.