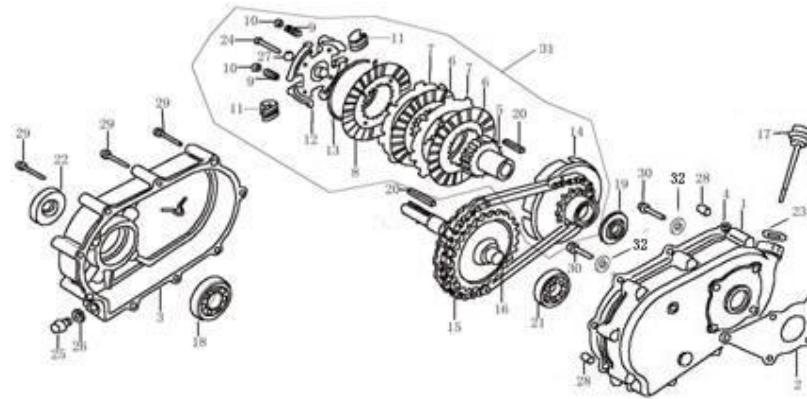
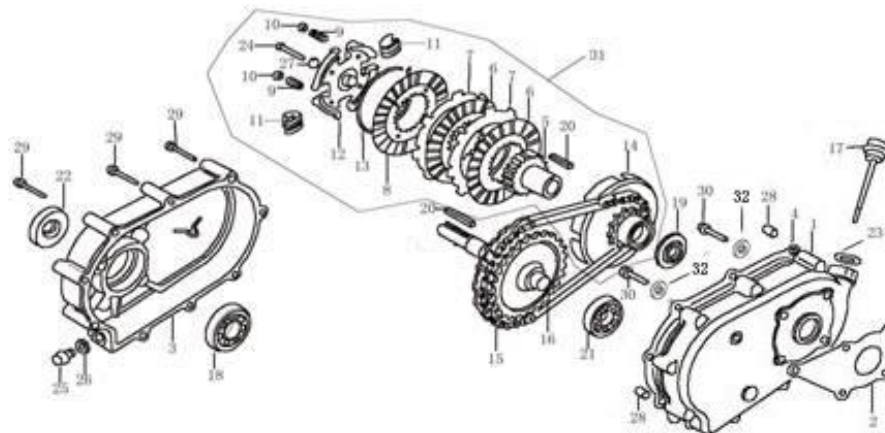


E-14 变速箱组合 REDUCER ASSY



序号 Ref.No.	零部件代号 Part No	零部件名称	Description	数量 Quantity	备注 Remark
1	23521	减速箱体	Reducer case	1	
2	23512	右盖垫片	Gasket, right cover	1	
3	23511	减速箱盖	Cover, reducer case	1	
4	23519	箱体垫	Gasket, reducer case	1	
5	21147	离合器定心套	Guide, clutch	2	
6	21151	离合器摩擦片	Friction disc, clutch	2	
7	21371	离合器中间片	Mid-disc, clutch	1	
8	21113	压盘摩擦片	Pressing disc	4	
9	21118	弹簧	Spring	4	
10	21114	挡圈	Retainer	48	
11	21111	离合器飞块	Flying block, clutch	1	
12	21112	离合器端盖	End cover, clutch	1	
13	21117	飞块止动圈	Stop ring	1	
14	21336	外罩	Housing	1	
15	23540	链条	Chain		
16	23571	输出轴	Power shaft		

E-14 变速箱组合 REDUCER ASSY



序号 Ref.No.	零部件代号 Part No	零部件名称	Description	数量 Quantity	备注 Remark
17	23531/173F	减压器机油尺	Dipstick	1	
18	GB276-82	轴承 6206	Bearing 6206	1	
19	23518	隔套	Spacer	1	
20	GB699-88	平键 5×33	Flat key	2	
21	GB276-82	轴承 6205	Bearing 6205	1	
22	23780	输出轴油封	Oil seal ,power shaft	1	
23	23532	机油尺密封圈	Seal ring	1	
24	GB5789-86	螺栓 M8×35	Bolt M8×35	1	
25	23515	放油螺塞	Drain plug	1	
26	23516	放油螺塞垫片	Washer, drain plug	1	
27	GB859-87	弹簧垫圈	Spring washer	1	
28	23513	定位销 φ8×12	Set pin φ8×12	2	
29	GB5787-86	螺栓 M6×55	Bolt M6×55	9	
30	GB5787-86	螺栓 M8×25	Bolt M8×22	5	
31	21000	自动离合器	Clutch	1	
32	23522	右盖螺钉垫片	Screw plug	5	