



Illustrated Parts List

Model Series

122300

TYPE NUMBERS
0100 through 6136.

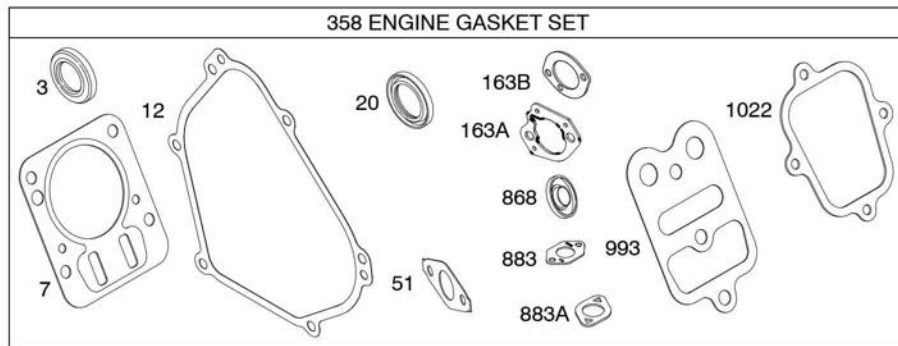
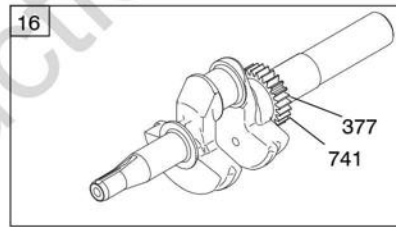
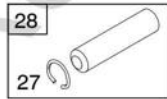
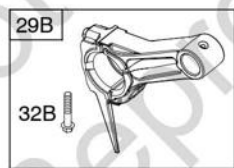
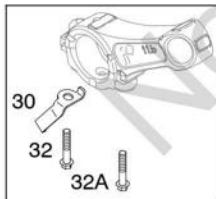
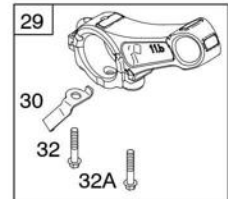
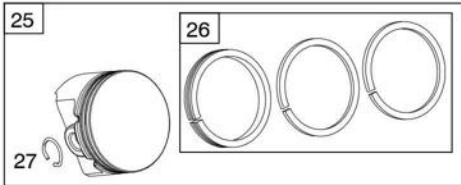
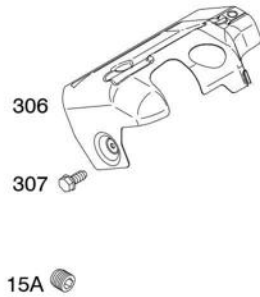
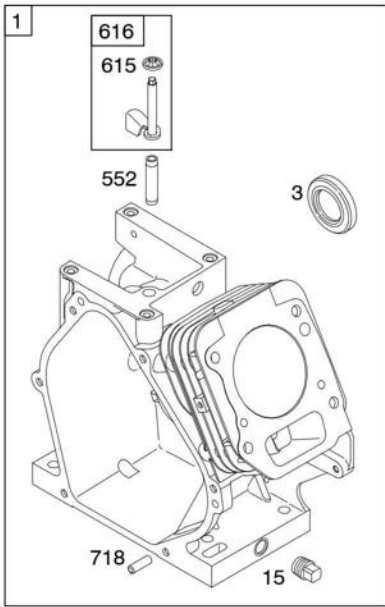
TABLE OF CONTENTS

Air Cleaner	8
Blower Housing	9
Camshaft	2
Carburetor	5
Controls	7
Crankcase Cover	3
Crankshaft	2
Cylinder	2
Cylinder Head	4
Electric Starter	9
Exhaust System	8
Flywheel	9
Fuel Supply	6
Governor Spring	7
Gear Reduction	3
Ignition	7
Kits/Gaskets - Carburetor	6
Kits/Gaskets - Engine	2
Kits/Gaskets - Valve	4
Lubrication	3
Piston Group	2
Rewind Starter	9

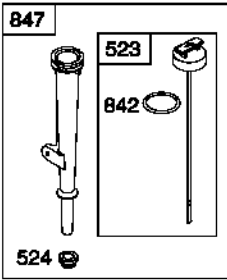
PRINTED IN U.S.A.



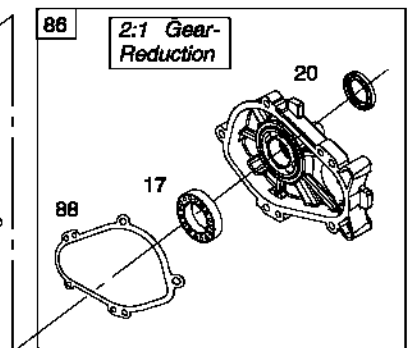
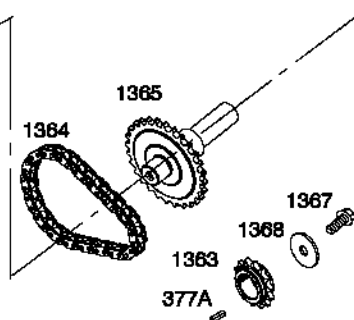
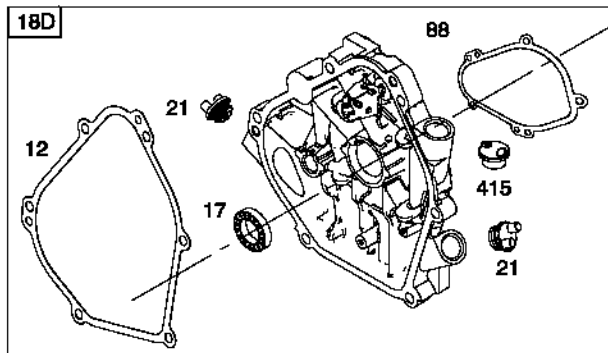
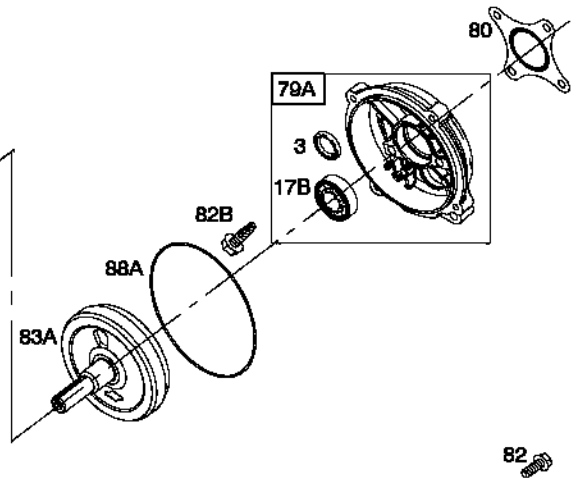
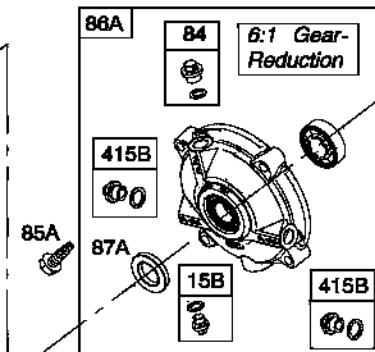
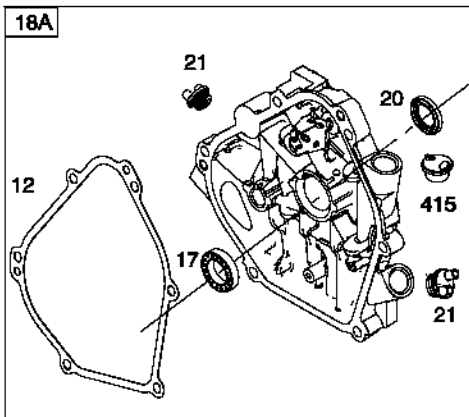
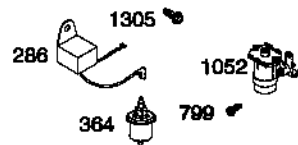
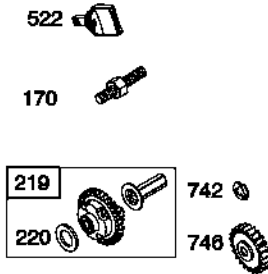
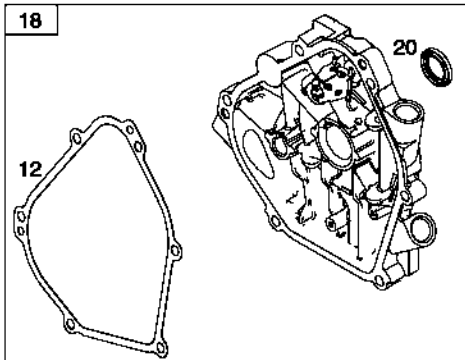
COPYRIGHT by BRIGGS & STRATTON CORPORATION
All rights reserved. No part of this material may be reproduced or transmitted,
in any form or by any means, electronic or mechanical, including photocopying,
recording or by any information storage and retrieval system, without permission
in writing from Briggs & Stratton Corporation.



Illustrations cover a range of engines. Parts shown without corresponding text may not be used on your specific engine.
 3378-2 Assemblies include all parts shown in frames. 06/26/2014

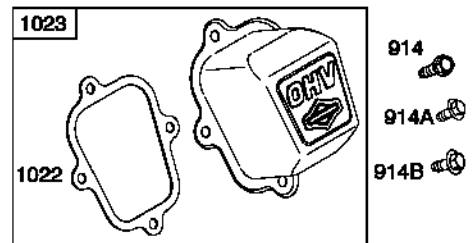
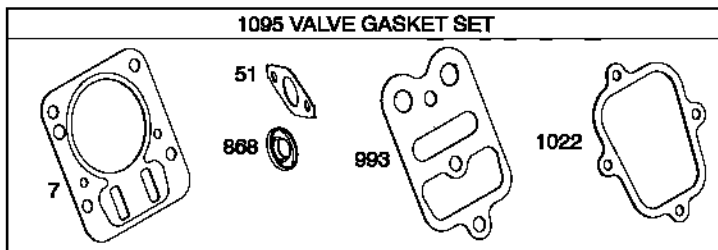
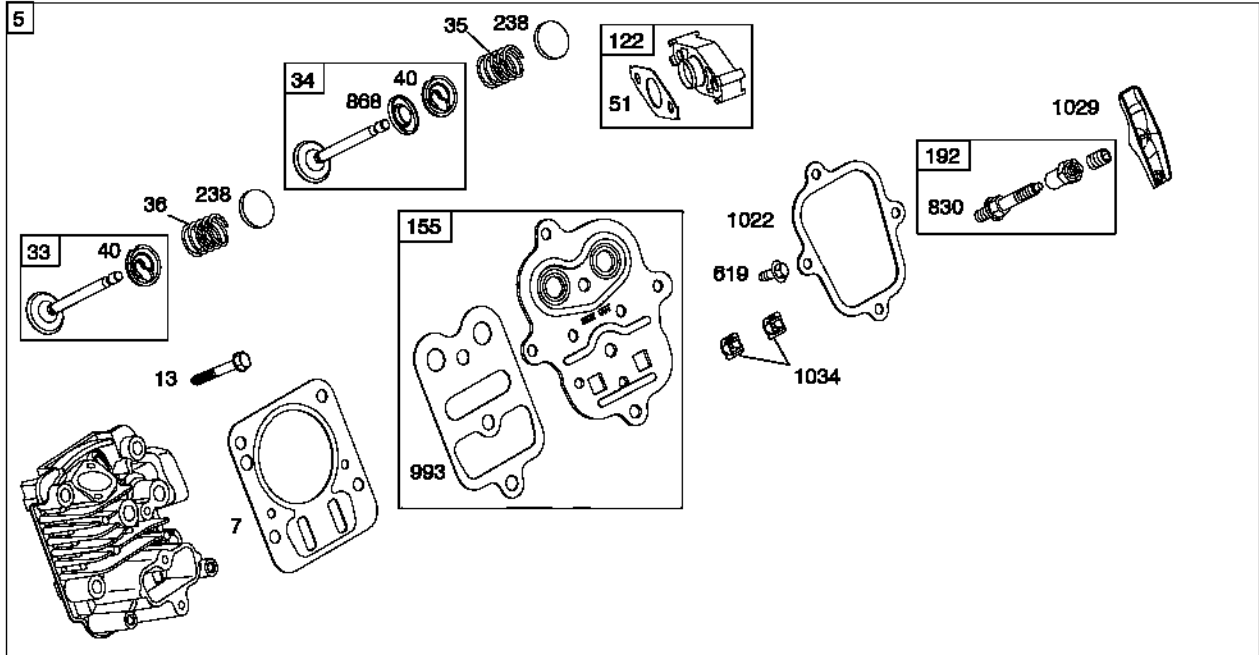


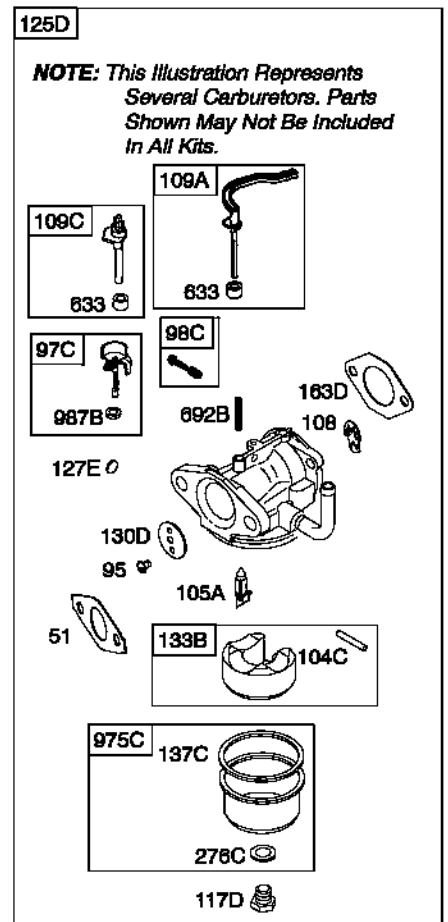
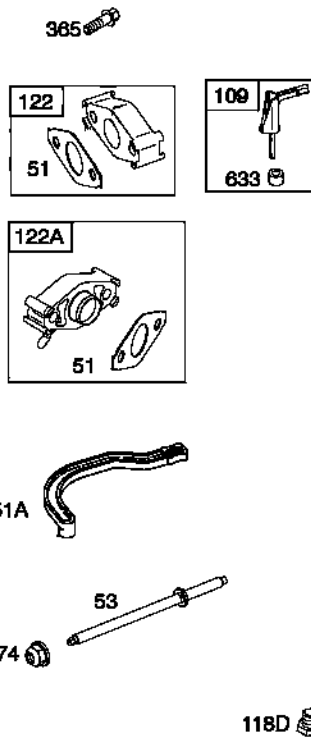
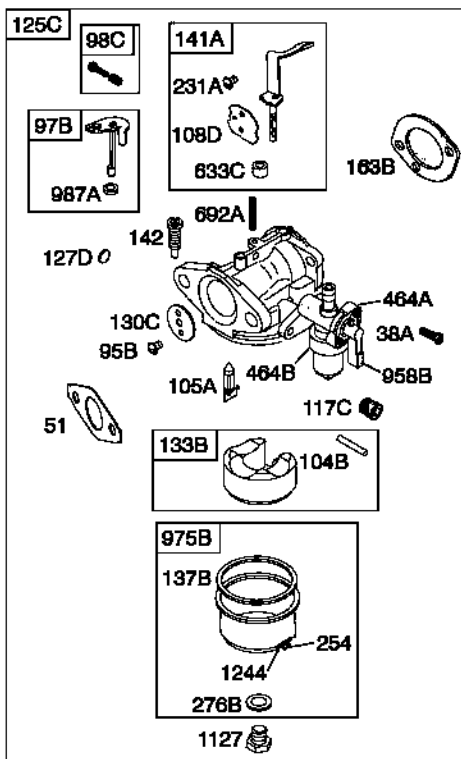
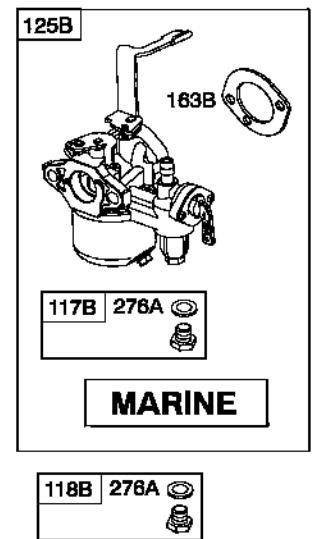
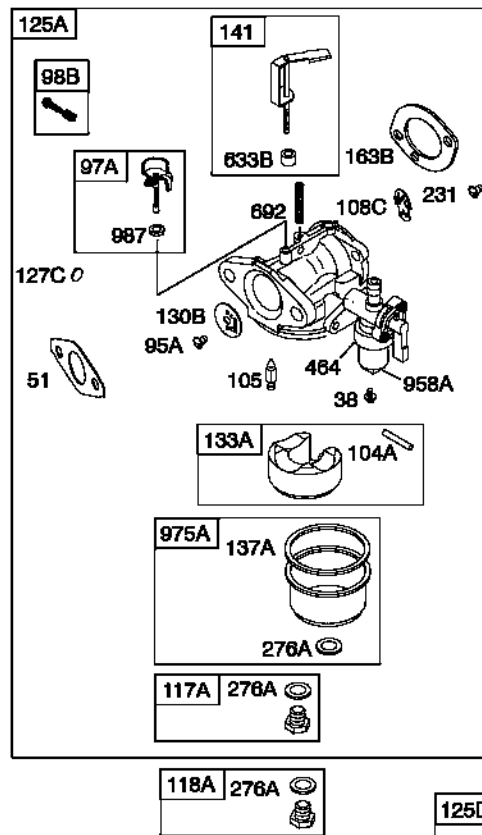
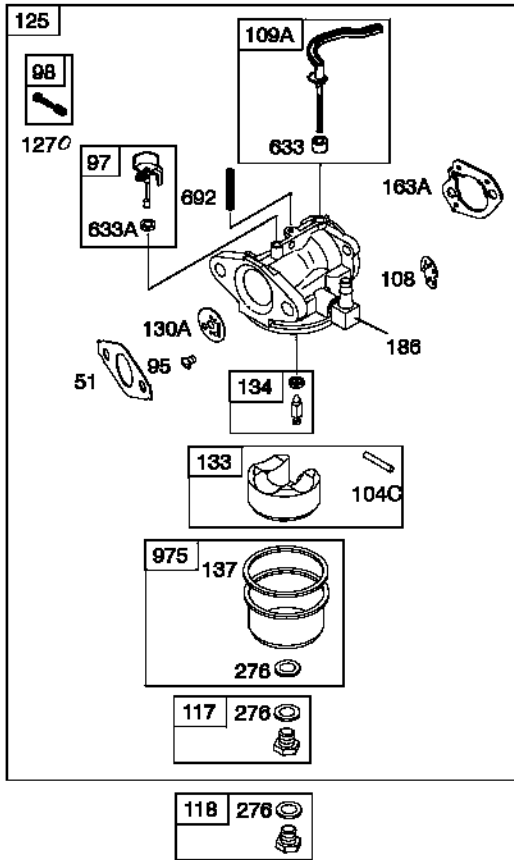
287



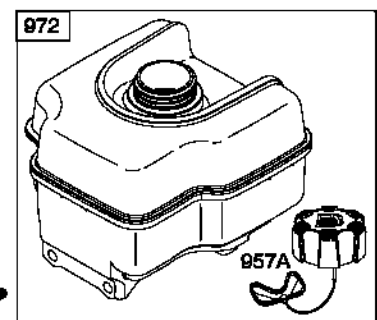
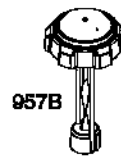
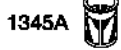
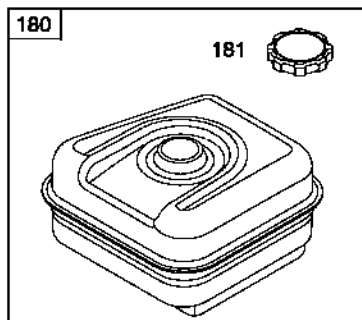
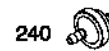
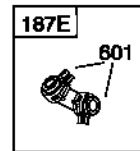
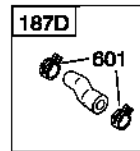
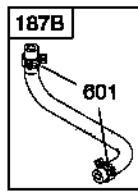
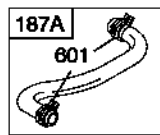
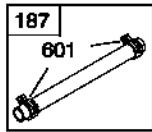
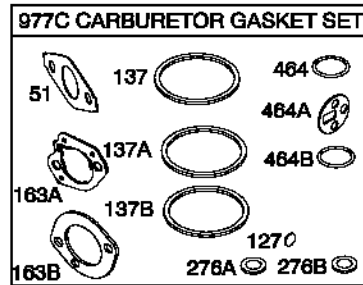
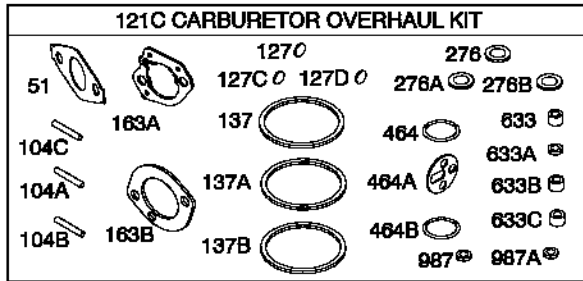
22

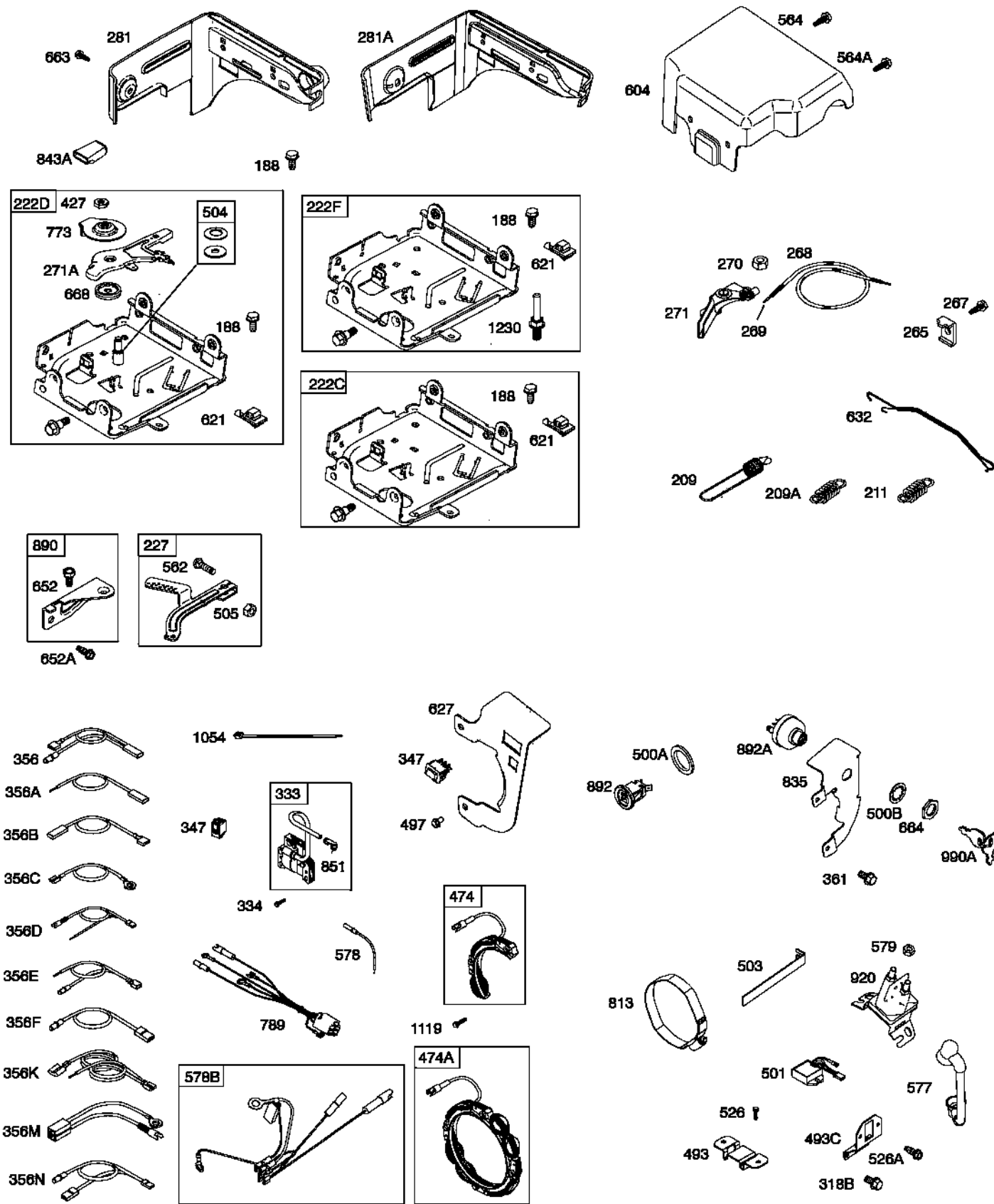
Illustrations cover a range of engines. Parts shown without corresponding text may not be used on your specific engine.
 3378-3 Assemblies include all parts shown in frames. 06/26/2014



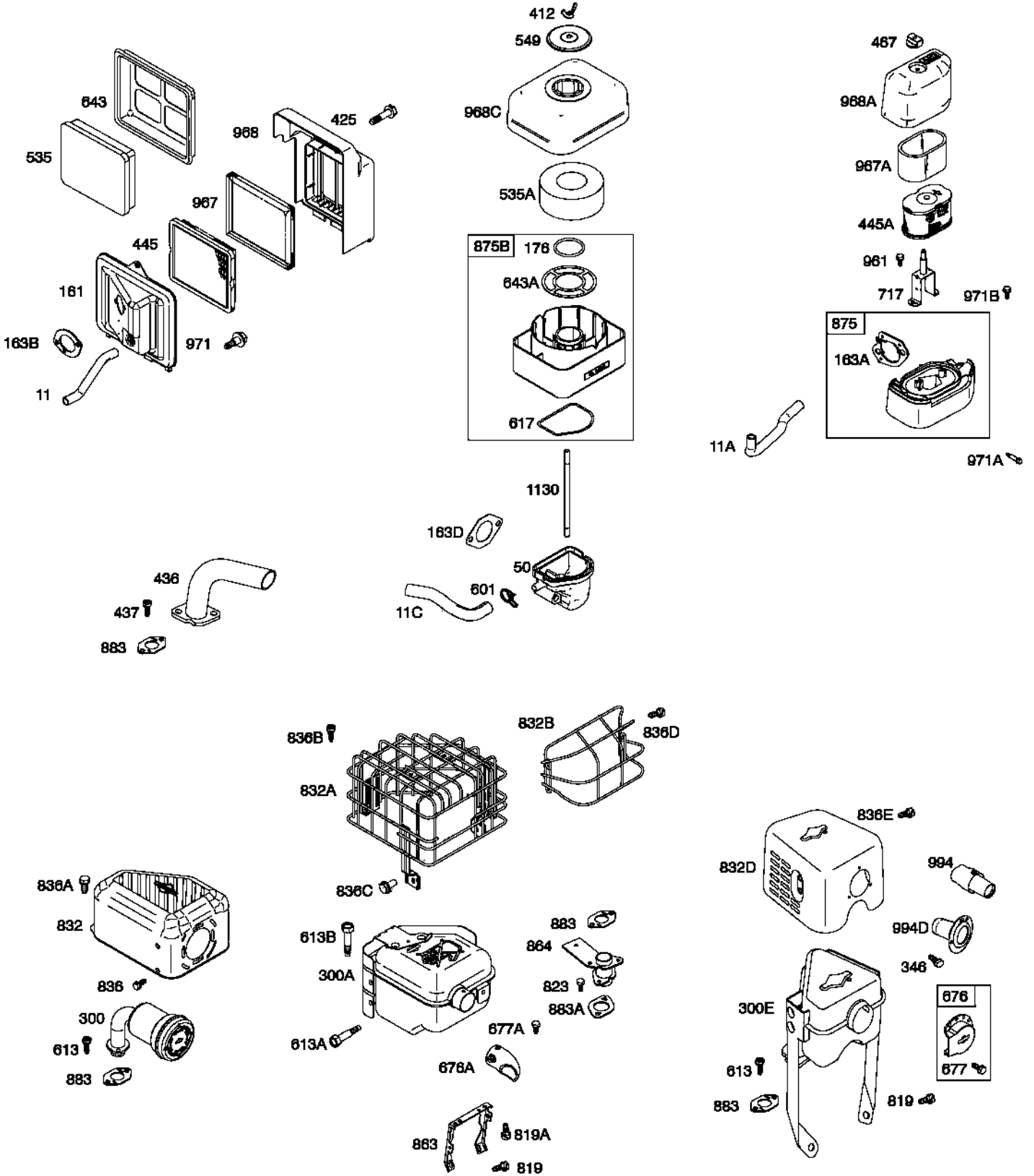


Illustrations cover a range of engines. Parts shown without corresponding text may not be used on your specific engine.
 3378-5 Assemblies include all parts shown in frames. 06/26/2014

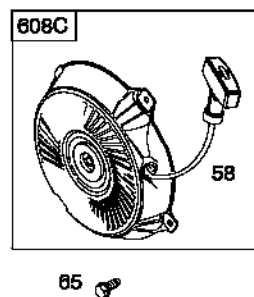
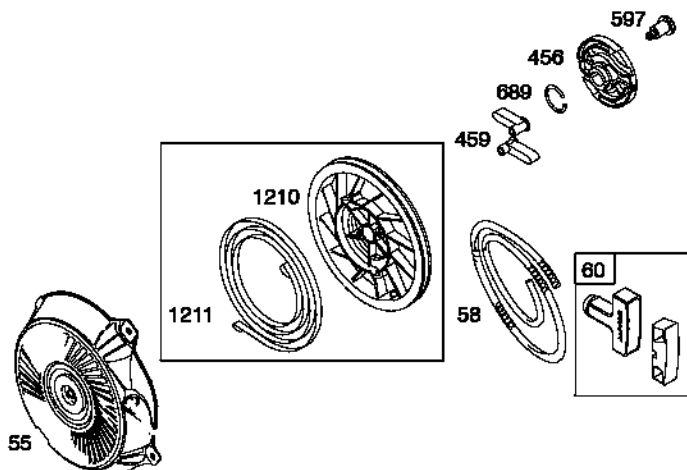
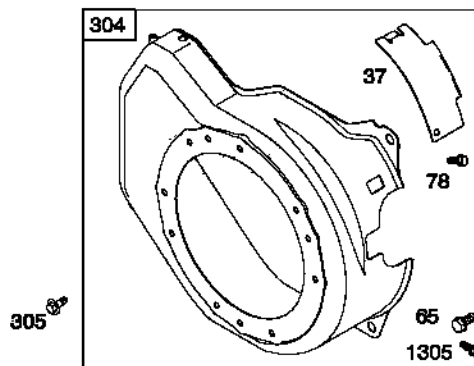
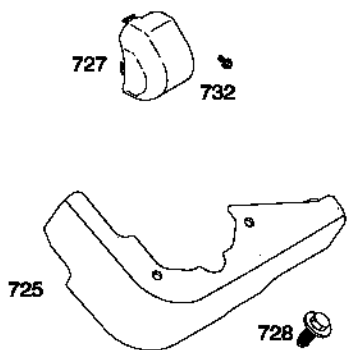
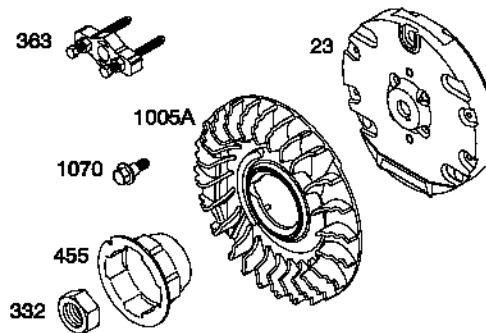
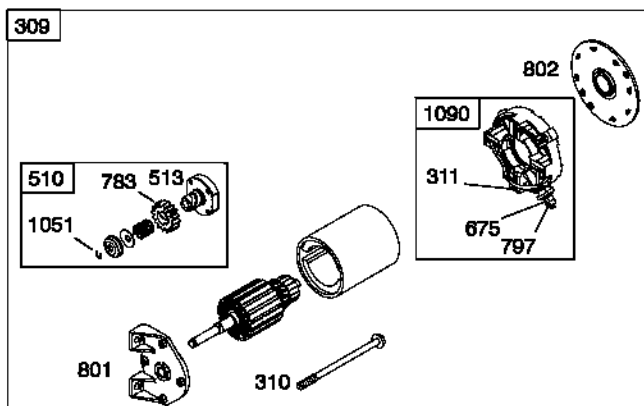




Illustrations cover a range of engines. Parts shown without corresponding text may not be used on your specific engine.
 3378-7 Assemblies include all parts shown in frames. 06/26/2014



Illustrations cover a range of engines. Parts shown without corresponding text may not be used on your specific engine.
 3378-8 Assemblies include all parts shown in frames. 06/26/2014



Illustrations cover a range of engines. Parts shown without corresponding text may not be used on your specific engine.
 3378-9 Assemblies include all parts shown in frames. 06/26/2014

REF. NO.	PART NO.	DESCRIPTION	REF. NO.	PART NO.	DESCRIPTION	REF. NO.	PART NO.	DESCRIPTION
18	699804	Cover-Crankcase Used on Type No(s). 0177, 0260, 5260.	18D	790330	Cover-Crankcase Used on Type No(s). 0113, 0118, 0123, 0124, 0130, 0134, 4111, 4181, 4190, 4208, 4232, 4235, 4236, 4325, 5111, 5118, 5123, 5124, 5190, 5208, 5232, 5235, 5236, 5325.	26	791969	Ring Set (Standard) (Used After Code Date 05093000). ----- Note ----- 499631 Ring Set (Standard) (Used Before Code Date 05100100). 791324 Ring Set (.020" Oversize) (Used After Code Date 05093000). 692786 Ring Set (.020" Oversize) (Used Before Code Date 05100100).
18A	790337	Cover-Crankcase Used on Type No(s). 0001, 0003, 0100, 0111, 0112, 0115, 0116, 0117, 0119, 0121, 0122, 0127, 0129, 0131, 0136, 0137, 0144, 0145, 0148, 0168, 0169, 0170, 0173, 0175, 0176, 0178, 0888, 3210, 3214, 3249, 4110, 4113, 4115, 4118, 4120, 4123, 4136, 4139, 4142, 4156, 4159, 4168, 4207, 4223, 4225, 4226, 4227, 4228, 4238, 4239, 4241, 4242, 4249, 4245, 5110, 5113, 5115, 5116, 5117, 5119, 5120, 5121, 5122, 5129, 5136, 5142, 5144, 5145, 5148, 5156, 5159, 5169, 5207, 5210, 5214, 5225, 5226, 5227, 5228, 5238, 5239, 5241, 5242, 5249, 5888, 6115, 6136. ----- Note ----- 699672 Cover- Crankcase Used on Type No(s). 0007, 0012, 0128, 0132, 0138, 0139, 0140, 0141, 0146, 0179, 0255, 0256, 4140, 4141, 4182, 4185, 4197, 4200, 4305, 4306, 4307, 4322, 4323, 5128, 5132, 5138, 5139, 5140, 5146, 5185, 5197, 5200, 5305, 5306, 5307.	20	692550	Seal-Oil (PTO Side)	27	691866	Lock-Piston Pin
			21	281658s	Cap-Oil Fill	28	499423	Pin-Piston
			22	799318	Screw (Crankcase Cover/Sump)	29	792247	Rod-Connecting (.020" Undersize)
			23	699488	Flywheel ----- Note ----- 592888 Flywheel Used on Type No(s). 0003, 0007, 0012, 0116, 0139, 0176, 4156, 4185, 4190, 4228, 4232, 4236, 4238, 5116, 5139, 5156, 5185, 5190, 5228, 5232, 5236, 5238. 790328 Flywheel Used on Type No(s). 4182, 4245. 594000 Flywheel Used on Type No(s). 0003, 0007, 0012.	29B	798813	Rod-Connecting (Metric)
			24	796335	Key-Flywheel	30	791584	Dipper-Connecting Rod
			25	799063	Piston Assembly (Standard) ----- Note ----- 799064 Piston Assembly (.020" Oversize)	32	691664	Screw (Connecting Rod)
						32A	695759	Screw (Connecting Rod)
						32B	797437	Screw (Connecting Rod) (Metric) (Used After Code Date 09053100). ----- Note ----- 791784 Screw (Connecting Rod) (SAE) (Used Before Code Date 09060100).

122300

REF. NO.	PART NO.	DESCRIPTION	REF. NO.	PART NO.	DESCRIPTION	REF. NO.	PART NO.	DESCRIPTION
33	499642	Valve-Exhaust	82B	792753	Screw (Gear Reduction Case)	117B	793708	Jet-Main (Standard)
34	795443	Valve-Intake	83A	792756	Shaft-Auxiliary Drive	117C	797140	Jet-Main (Standard)
35	691304	Spring-Valve (Intake)	84A	792759	Plug-Breather	117D	797574	Jet-Main (Standard)
36	691304	Spring-Valve (Exhaust)	85A	690711	Screw (Gear Cover to Gear Reduction)			----- Note -----
37	699661	Guard-Flywheel	86	790332	Cover-Gear			590906 Jet-Main (Standard)
38	698557	Screw (Shut Off Valve)	86A	795647	Cover-Gear			(Used After Code Date 11123100).
38A		Screw (Shut Off Valve) (No Longer Available)	87A	792752	Seal-Gear Reduction			Used on Type No(s). 0256, 0260, 4141, 4182, 4323, 5260.
40	692194	Retainer-Valve	88	790333	Gasket-Gear Reduction Cover			
45	690977	Tappet-Valve	88A	792760	Gasket-Gear Reduction Cover			
46A	696813	Camshaft	95	691636	Screw (Throttle Valve)	118	497315	Jet-Main (High Altitude)
		----- Note ----- 793703 Camshaft Used on Type No(s). 0134, 0168, 4168.	95A	698544	Screw (Throttle Valve)			----- Note -----
50	793419	Manifold-Intake	95B	797161	Screw (Throttle Valve)			691428 Jet-Main (High Altitude)
51	692555	Gasket-Intake	97	690024	Shaft-Throttle			(Used Before Code Date 12010100).
53	793414	Stud (Carburetor)	97A	698542	Shaft-Throttle			Used on Type No(s). 0256, 0260, 4141, 4182, 4323.
55		Housing-Rewind Starter (Used After Code Date 11123100). (Not Serviced Separate. Service With Rewind Assembly.)	97B	797153	Shaft-Throttle			
		----- Note ----- 791848 Housing- Rewind Starter (Used Before Code Date 12010100).	97C	797628	Shaft-Throttle	118A	698552	Jet-Main (High Altitude)
58	693389	Rope-Starter (Cut to Required Length) (Used After Code Date 11123100).	98	398185	Kit-Idle Speed			----- Note -----
		----- Note ----- 66574 Rope-Starter (Cut to Required Length) (Used Before Code Date 12010100).	98B	698551	Kit-Idle Speed			793416 Jet-Main (High Altitude)
60	490652	Grip-Starter Rope	98C	797156	Kit-Idle Speed			Used on Type No(s). 4159, 4181, 5159.
65	699228	Screw (Rewind Starter) (Metric)	104A	698536	Pin-Float Hinge	118B		Jet-Main (High Altitude) (No Longer Available)
78	699205	Screw (Flywheel Guard)	104B	797138	Pin-Float Hinge	118C	797141	Jet-Main (High Altitude)
79A	792746	Case-Gear Reduction	104C	797622	Pin-Float Hinge	118D	797575	Jet-Main (High Altitude)
80	792755	Gasket-Gear Case	105	698537	Valve-Float Needle			----- Note -----
82	807421	Screw (Gear Reduction Case)	105A	797139	Valve-Float Needle			590440 Jet-Main (High Altitude)
			108	692567	Valve-Choke			(Used After Code Date 11123100).
			108C	698546	Valve-Choke			Used on Type No(s). 0256, 0260, 4141, 4182, 4323, 5260.
			108D	797159	Valve-Choke	121C	797634	Kit-Carburetor Overhaul
			109	690023	Shaft-Choke			
			109A	693628	Shaft-Choke	122	795643	Spacer-Carburetor (Black)
			109C	790624	Shaft-Choke			----- Note -----
			117	494870	Jet-Main (Standard)			795208 Spacer- Carburetor (Grey/Coffee)
					----- Note ----- 698344 Jet-Main (Standard) (Used Before Code Date 12010100). Used on Type No(s). 0256, 0260, 4141, 4182, 4323.			
			117A	698666	Jet-Main (Standard)			

Illustrations cover a range of engines. Parts shown without corresponding text may not be used on your specific engine.

REF. NO.	PART NO.	DESCRIPTION	REF. NO.	PART NO.	DESCRIPTION	REF. NO.	PART NO.	DESCRIPTION
122A		Spacer-Carburetor (No Longer Available)	127	691739	Plug-Welch	163D	793412	Gasket-Air Cleaner (Oil Bath Air Cleaner)
125	790243	Carburetor Used on Type No(s). 0141, 0255, 4140, 4322.	127C	690727	Plug-Welch	170	699818	Stud (Crankcase Cover)
		----- Note ----- 591925 Carburetor (Used Before Code Date 12010100). Used on Type No(s). 0256, 0260, 4141, 4182, 4323.	127D	797135	Plug-Welch	176	793441	Seal-O Ring (Air Cleaner Base)
125A	698558	Carburetor (Used Before Code Date 09030100). ----- Note ----- 793411 Carburetor Used on Type No(s). 4159, 4181, 5159. 793711 Carburetor Used on Type No(s). 4232, 5232.	127E	797633	Plug-Welch	180	795832	Tank-Fuel (Metal) (Used After Code Date 08051100). ----- Note ----- 794640 Tank-Fuel (Metal) (Used After Code Date 07050800 and Before Code Date 08051200). 791598 Tank-Fuel (Metal) (Used Before Code Date 07050900).
125B	793707	Carburetor (Not Serviced Separately, Order Replacement Carburetor) Used on Type No(s). 0134, 0168, 4168.	130A	691203	Valve-Throttle	181	794641	Cap-Fuel Tank (Metal) (Used After Code Date 07050800). ----- Note ----- 699840 Cap-Fuel Tank (Metal) (Used Before Code Date 07050900).
125C	796447	Carburetor (Used After Code Date 09022800).	130B	698543	Valve-Throttle	186	692317	Connector-Hose
125D	797573	Carburetor Used on Type No(s). 4241, 4242, 5241, 5242. ----- Note ----- 591309 Carburetor (Used After Code Date 11123100). Used on Type No(s). 0256, 0260, 4141, 4182, 4323, 5260.	130C	797154	Valve-Throttle	187	791766	Line-Fuel (Cut to Required Length)
			130D	797630	Valve-Throttle	187A	791867	Line-Fuel (Molded)
			133	398187	Float-Carburetor	187B	791874	Line-Fuel (Molded)
			133A	698539	Float-Carburetor	187D	795046	Line-Fuel (Molded)
			133B	797136	Float-Carburetor	187E	797183	Line-Fuel (Molded)
			134	398188	Kit-Needle/Seat			
			137	693981	Gasket-Float Bowl			
			137A	698538	Gasket-Float Bowl			
			137B	797137	Gasket-Float Bowl			
			137C	797625	Gasket-Float Bowl			
			141	698545	Kit-Choke Shaft ----- Note ----- 793413 Kit-Choke Shaft Used on Type No(s). 4159, 4181, 5159. 793710 Kit-Choke Shaft Used on Type No(s). 4232, 5232.			
			141A	797158	Kit-Choke Shaft			
			142	797151	Nozzle-Carburetor			
			155	797442	Plate-Cylinder Head (Metric) (Used After Code Date 09061700). ----- Note ----- 698214 Plate-Cylinder Head (SAE) (Used Before Code Date 09061800).			
			161	699207	Base-Air Cleaner (Metal) (Flat Panel Air Cleaner)			
			163A	792870	Gasket-Air Cleaner			
			163B	696024	Gasket-Air Cleaner (Flat Panel Air Cleaner)			

Illustrations cover a range of engines. Parts shown without corresponding text may not be used on your specific engine.
3378-13 Assemblies include all parts shown in frames. 06/26/2014

122300

REF. NO.	PART NO.	DESCRIPTION	REF. NO.	PART NO.	DESCRIPTION	REF. NO.	PART NO.	DESCRIPTION
188	699479	Screw (Control Bracket)	222D	795669	Bracket-Control (Variable Speed) (Used With Metal Fuel Tank)	271	691028	Lever-Control
190	699220	Screw (Fuel Tank)			(Used After Code Date 08051100).	271A	694256	Lever-Control
190B	795047	Screw (Fuel Tank) (Used After Code Date 08051100).			----- Note -----	276	271716	Washer-Sealing
		----- Note -----			793107 Bracket-Control (Variable Speed) (Used With Metal Fuel Tank)	276A	698540	Washer-Sealing
		699839 Screw (Fuel Tank) (Used Before Code Date 08051200).			(Used Before Code Date 08051200).	276B	797147	Washer-Sealing
192	797440	Adjuster-Rocker Arm (Metric) (Used After Code Date 09061700).			793107 Bracket-Control (Variable Speed) (Used With Plastic Fuel Tank)	276C	797632	Washer-Sealing
		----- Note -----	222C	795668	Bracket-Control (Fixed Speed) (Used With Metal Fuel Tank) (Used After Code Date 08051100).	281	793122	Panel-Control Used on Type No(s). 0007, 0012, 0115, 0128, 0132, 0139, 0141, 0146, 0255, 0256, 0260, 4136, 4140, 4141, 4182, 4185, 4200, 4305, 4306, 4307, 4322, 4323, 5115, 5128, 5132, 5136, 5139, 5146, 5185, 5200, 5260, 5305, 5306, 5307, 6136.
		694543 Adjuster-Rocker Arm (SAE) (Used Before Code Date 09061800).			----- Note -----			----- Note -----
209	692571	Spring-Governor	222F	793100	Bracket-Control (Fixed Speed) (Used With Metal Fuel Tank) (Used Before Code Date 08051200).			795565 Panel-Control Used on Type No(s). 4241, 4242, 5241, 5242.
		----- Note -----			----- Note -----	281A	793133	Panel-Control
		693206 Spring-Governor Used on Type No(s). 0131, 0138, 0139, 0140, 0170, 0173, 0175, 4197, 4232, 4306, 4307, 5138, 5139, 5140, 5197, 5232, 5306, 5307.			793100 Bracket-Control (Fixed Speed) (Used With Plastic Fuel Tank)	286	794185	Module-Oil Sensor
209A	691278	Spring- Governor	227	794367	Lever-Governor Control	287	699234	Screw (Dipstick Tube)
211	692069	Spring- Governor Idle Used on Type No(s). 4232, 5232.	231	690718	Screw (Choke Valve)	300	693593	Muffler
219	693578	Gear-Governor	231A	797160	Screw (Choke Valve)	300A	797433	Muffler
220	691724	Washer (Governor Gear)	238	691300	Valve-Cap	300E	791595	Muffler
			240	394358S	Filter-Fuel			----- Note -----
			254	797145	Drain-Carburetor Bowl			594001 Muffler Used on Type No(s). 0001, 0007, 0173, 5128.
			265	691024	Clamp-Casing	304	699598	Housing-Blower
			267	699492	Screw (Casing Clamp)	305	699481	Screw (Blower Housing)
			268	691025	Casing-Control Wire (Cut to Required Length)	306	795334	Shield-Cylinder
			269	691026	Wire-Control (Cut to Required Length)	307	699483	Screw (Cylinder Shield)
			270	691027	Nut (Control Wire Casing)	309	694504	Motor-Starter
								----- Note -----
								798790 Motor-Starter Used on Type No(s). 0003, 0007, 0012.
						310	690323	Screw (Starter Motor)
						311	497608	Brush Set

Illustrations cover a range of engines. Parts shown without corresponding text may not be used on your specific engine.

REF. NO.	PART NO.	DESCRIPTION	REF. NO.	PART NO.	DESCRIPTION	REF. NO.	PART NO.	DESCRIPTION
318B	793567	Screw (Mounting Bracket)	356	693651	Wire-Stop	455	591302	Cup-Flywheel
332	591988	Nut (Flywheel)	356A	692390	Wire-Stop	456		Plate-Pawl Friction (Used After Code Date 11123100). (Not Serviced Separate. Service With Rewind Assembly.)
333	796964	Armature-Magneto	356B	692602	Wire-Stop			----- Note ----- 692299 Plate-Pawl Friction (Used Before Code Date 12010100).
334	699477	Screw (Magneto Armature)	356C	695630	Wire-Stop			Pawl-Ratchet (Used After Code Date 11123100). (Not Serviced Separate. Service With Rewind Assembly.)
337	491055s	Plug-Spark (Resistor)	356D	695283	Wire-Stop			----- Note ----- 281505s Pawl- Ratchet (Used Before Code Date 12010100).
		----- Note ----- 691043 Plug-Spark (EMS)	356E	695814	Wire-Stop	459		
346	699203	Screw (Spark Arrestor) (Metric)	356F	697397	Wire-Stop			
		----- Note ----- 690661 Screw (Spark Arrestor) (SAE)	356K	791765	Wire-Stop			
347	698338	Switch-Rocker	356M	792609	Wire-Stop			
		----- Note ----- 697854 Switch-Rocker Used on Type No(s). 0003, 0007, 0100, 0111, 0115, 0116, 0117, 0119, 0121, 0122, 0128, 0129, 0131, 0136, 0140, 0141, 0144, 0148, 0170, 0173, 0175, 0177, 0179, 0255, 0256, 0260, 4110, 4118, 4123, 4136, 4140, 4141, 4142, 4168, 4182, 4185, 4190, 4200, 4207, 4226, 4232, 4238, 4239, 4242, 4245, 4305, 4306, 4307, 4322, 4323, 5110, 5115, 5116, 5117, 5119, 5121, 5122, 5128, 5129, 5136, 5140, 5142, 5144, 5148, 5185, 5190, 5200, 5207, 5226, 5232, 5236, 5238, 5239, 5242, 5260, 5305, 5306, 5307, 6136.	356N	593999	Wire-Stop			
		790949 Switch-Rocker Used on Type No(s). 0124, 4236, 5124.	357	692191	Key-Drive Pulley			
		795333 Switch-Rocker Used on Type No(s). 0001, 5132.	357	798869	Key-Drive Pulley (Metric)			
					----- Note ----- 692191 Key-Drive Pulley (SAE)			
			358	791797	Gasket Set-Engine			
			361	691693	Screw (Starting Switch)			
			363	19203	Puller-Flywheel			
			364	695693	Terminal-Oil Plug			
			365	699484	Screw (Carburetor)			
			377	690979	Key-Timing	464	698550	Seal-O Ring (Fuel Shut Off Valve)
			377	790943	Key-Timing	464A	797148	Seal-O Ring (Fuel Shut Off Valve)
			383	19576s	Wrench-Spark Plug	464B	797155	Seal-O Ring (Fuel Shut Off Valve)
			383A	590721	Wrench-Spark Plug	467	691668	Knob-Air Cleaner
			412	793443	Nut (Air Cleaner Cover)	474	695466	Alternator ----- Note ----- 790320 Alternator Used on Type No(s). 4182, 4245. 695730 Alternator Used on Type No(s). 0003, 0012, 0176, 4156, 4190, 4228, 4232, 4236, 5156, 5190, 5228, 5232, 5236. 793640 Alternator Used on Type No(s). 0007, 4185, 5185.
			415	693463	Plug	474A	698314	Alternator Used on Type No(s). 0116, 4238, 5116, 5238.
			415B	792749	Plug			
			425	699208	Screw (Air Cleaner Cover)			
			427	798458	Nut (Control Bracket) (Metric)			
					----- Note ----- 694255 Nut (Control Bracket) (SAE)			
			436	793706	Manifold-Exhaust			
			437	791972	Screw (Exhaust Manifold)			
			445	491588	Filter-Air Cleaner Cartridge (Flat Panel)			
			445A	697029	Filter-Air Cleaner Cartridge (High Mount)			

Illustrations cover a range of engines. Parts shown without corresponding text may not be used on your specific engine.
3378-15 Assemblies include all parts shown in frames. 06/26/2014

122300

REF. NO.	PART NO.	DESCRIPTION	REF. NO.	PART NO.	DESCRIPTION	REF. NO.	PART NO.	DESCRIPTION
493	691177	Bracket-Mounting	597		Screw	616	692547	Crank-Governor
493C	699048	Bracket-Mounting			(Pawl Friction Plate)	617	793440	Seal-O Ring
497	691693	Screw			(Used After Code Date			(Intake Manifold)
		(Stop Switch Bracket)			11123100).	619	699481	Screw
500A	792613	Washer			(Not Serviced			(Cylinder Head Plate)
		(Key Switch)			Separate. Service With	621	692310	Switch-Stop
500B	691086	Washer			Rewind Assembly.)	627	792608	Bracket-Stop Switch
		(Key Switch)			----- Note -----	632	693408	Spring/Link-
501	691185	Regulator			691696 Screw			Mechanical Governor
		----- Note -----			(Pawl Friction Plate)	633	693867	Seal-Choke/Throttle
		698315 Regulator			(Used Before Code			Shaft
		Used on Type No(s).			Date 12010100).	633A	691321	Seal-Choke/Throttle
		0116, 4238, 5116,	601	791850				Shaft
		5238.	604	697326	Clamp-Hose	633B	690998	Seal-Choke/Throttle
503	691532	Strap-Starter	608C	591301	Cover-Control			Shaft
504	695383	Washer Set-Friction	613	797972	Starter-Rewind	633C	797157	Seal-Choke/Throttle
505	691251	Nut			Screw			Shaft
		(Governor Control	613A	699481	(Muffler)	635	692076	Boot-Spark Plug
		Lever)			(Muffler)	635A	798619	Boot-Spark Plug
510	499308	Drive-Starter	613B	799081	Screw	643	696264	Retainer-Air Filter
513	692024	Drive-Clutch			(Muffler)	643A	793424	Retainer-Air Filter
522	697689	Plug-Dipstick/Fill			(Metric)	652	699755	Screw
		----- Note -----			----- Note -----			(Support Bracket)
		798503 Plug-			697812 Screw	652A	699481	Screw
		Dipstick/Fill			(Muffler)			(Support Bracket)
		Used on Type No(s).			(SAE)	663	699206	Screw
		0003, 0007, 0012,	615	692576	Retainer-Governor			(Control Panel)
		0173, 5128.			Shaft	664	691087	Nut
523	693618	Dipstick						(Key Switch)
524	281370s	Seal-Dipstick Tube				668	694257	Spacer
526	690297	Screw				675	691261	Washer
		(Regulator)						(Brush Retainer)
526A	690326	Screw				676	796956	Deflector-Muffler
		(Regulator)				676A	697816	Deflector-Muffler
535	696263	Filter-Air Cleaner				677	699203	Screw
		Foam						(Muffler Deflector)
535A	792472	Filter-Air Cleaner						(Metric)
		Foam						----- Note -----
544	692966	Armature-Starter						690661 Screw
549	793434	Washer						(Muffler Deflector)
		(Air Cleaner Cover)						(SAE)
552	692346	Bushing-Governor				677A	699776	Screw
		Crank						(Muffler Deflector)
562	691119	Bolt				689		Spring-Friction
		(Governor Control						(Used After Code Date
		Lever)						11123100).
564	699491	Screw						(Not Serviced
		(Control Cover)						Separate. Service With
564A	699206	Screw						Rewind Assembly.)
		(Control Cover)						----- Note -----
577	690795	Cable-Starter						691855 Spring-
578	692306	Wire Assembly						Friction
578B	790948	Wire Assembly						(Used Before Code
579	691029	Nut						Date 12010100).
		(Starter Cable)						

Illustrations cover a range of engines. Parts shown without corresponding text may not be used on your specific engine.
 3378-16 Assemblies include all parts shown in frames. 06/26/2014

REF. NO.	PART NO.	DESCRIPTION	REF. NO.	PART NO.	DESCRIPTION	REF. NO.	PART NO.	DESCRIPTION
692	690572	Spring-Detent	836	699203	Screw (Muffler Guard)	914B	697551	Screw (Rocker Cover)
692A	797134	Spring-Detent	836A	699632	Screw (Muffler Guard)			(Center) (SAE)
692B	797624	Spring-Detent			----- Note -----			(Used Before Code
697	793567	Screw (Starter Motor)			594002 Screw (Muffler Guard)	920	691656	Solenoid-Starter
		----- Note -----			Used on Type No(s).	951A	797592	Lever-Choke
		795026 Screw (Starter Motor)			5132.	957	792647	Cap-Fuel Tank (Fresh Start)
		Used on Type No(s).	836B	791972	Screw (Muffler Guard)			----- Note -----
		0003, 0007, 0012.	836C	699755	Screw (Muffler Guard)			795027 Cap-Fuel Tank
717	693462	Bracket-Air Cleaner	836D	699204	Screw (Muffler Guard)	957A	799719	Cap-Fuel Tank (Carbon In Cap)
718	592860	Pin-Locating	836E	699755	Screw (Muffler Guard)	957B	698109	Cap-Fuel Tank
725	792874	Shield-Heat	842	691031	Seal-O Ring (Dipstick Tube)	958	698180	Valve-Fuel Shut Off
727	698039	Cover-Starter Drive	843A	695588	Sleeve-Lever	958A	698549	Valve-Fuel Shut Off
728	699491	Screw (Heat Shield)	847	693617	Dipstick/Tube Assembly	958B	797149	Valve-Fuel Shut Off
732	699200	Screw (Starter Drive Cover)	851	493880s	Terminal-Spark Plug	961	698304	Screw (Air Cleaner Bracket)
741	695087	Gear-Timing	863	699229	Bracket-Muffler	967	493537s	Filter-Pre Cleaner (Flat Panel)
742	692564	Retainer-E Ring	864	699232	Adapter-Muffler	967A	273356s	Filter-Pre Cleaner (High Mount)
746	790278	Gear-Idle	868	795440	Seal-Valve	968	692584	Cover-Air Cleaner (Flat Panel)
773	694258	Retainer	875	591306	Base-Air Cleaner (High Mount)			----- Note -----
783	692353	Gear-Pinion			(Used After Code Date			698811 Cover-Air Cleaner
789	797457	Harness-Wiring			1123100).			(Flat Panel)
797	691029	Nut (Brush Retainer)			----- Note -----			Used on Type No(s).
799	699202	Screw (Oil Sensor)			697030 Base-Air Cleaner			0003, 0131, 0134,
801	694482	Cap-Drive	875B	793423	Base-Air Cleaner (Oil Bath Air Cleaner)	968A	693460	Cover-Air Cleaner (High Mount)
802	691286	Cap-End	883	691893	Gasket-Exhaust	968C	793425	Cover-Air Cleaner (Oil Bath Air Cleaner)
803	693757	Housing-Starter	883A	692237	Gasket-Exhaust	971	798649	Screw (Air Cleaner Base)
813	690635	Clamp	890	790203	Bracket-Control			(Metric)
819	699233	Screw (Muffler Bracket)	892	791944	Switch-Key			----- Note -----
819A	699230	Screw (Muffler Bracket)	892A	692318	Key-Switch			690370 Screw (Air Cleaner Base)
823	791972	Screw (Muffler Adapter)	914	699481	Screw (Rocker Cover)			(SAE)
830	797441	Stud-Rocker Arm (Metric)			(Bottom)	971A	591307	Screw (Air Cleaner Base)
		(Used After Code Date	914A	797444	Screw (Rocker Cover)			(Used After Code Date
		09061700).			(Quantity 1, Top Or			1123100).
		----- Note -----			Center) (Metric)			----- Note -----
		694544 Stud-Rocker Arm			(Used After Code Date			690349 Screw (Air Cleaner Base)
		(SAE)			09061700).			(Used Before Code
		(Used Before Code			----- Note -----			Date 09061800).
		Date 09061800).			692557 Screw (Top) (SAE)			(Used Before Code
832	693583	Guard-Muffler			(Used Before Code			Date 09061800).
		----- Note -----			Date 09061800).			
		593953 Guard-Muffler						
		Used on Type No(s).						
		5132.						
832A	697818	Guard-Muffler						
832B	696516	Guard-Muffler						
832D	796240	Guard-Muffler						
835	797458	Bracket-Wire Harness						

Illustrations cover a range of engines. Parts shown without corresponding text may not be used on your specific engine.
3378-17 Assemblies include all parts shown in frames. 06/26/2014

122300

REF. NO.	PART NO.	DESCRIPTION	REF. NO.	PART NO.	DESCRIPTION	REF. NO.	PART NO.	DESCRIPTION
971B	699234	Screw (Air Cleaner Base)	1051	691265	Ring-Retaining	1211		Pulley/Spring Assembly
972	799863	Tank-Fuel	1052	790141	Sensor-Oil			(Pulley)
975	796611	Bowl-Float	1054	280275	Cable-Tie			(Used After Code Date 11123100).
975A	698541	Bowl-Float	1058	277040TRI	Operator's Manual			(Not Serviced
975B	797142	Bowl-Float			----- Note -----			Separate. Service With
975C	797631	Bowl-Float			277040EST			Rewind Assembly.)
977C	797635	Gasket Set-Carburetor			Operator's Manual			----- Note -----
987	698556	Seal-Throttle Shaft			277040WST			791849 Pulley/Spring
987A	797152	Seal-Throttle Shaft			Operator's Manual			Assembly
987B	797629	Seal-Throttle Shaft			279623ZH			(Pulley)
990A	794696	Key Set	1070	699201	Screw			(Used Before Code Date 12010100).
		----- Note -----			(Flywheel Fan)			
		691959 Key Set	1090	691293	Retainer-Brush			
		Used on Type No(s). 0012.	1095	791798	Gasket Set-Valve	1230	699847	Stud
993	694088	Gasket-Cylinder Head Plate	1119	699772	Screw			(Control Bracket)
994	790153	Arrester-Spark			(Alternator)	1244	797143	Seal-O Ring
994D	793985	Arrester-Spark	1127	797146	Screw			(Carburetor Bowl Drain)
1005A	794273	Fan-Flywheel			(Float Bowl To Carburetor Body)	1305	699691	Screw
1022	691890	Gasket-Rocker Cover	1130	793438	Stud			(Oil Sensor Module)
1023	791585	Cover-Rocker Arm			(Intake Manifold)	1319	794467	Label-Warning
1026	790287	Rod-Push	1174	692055	Nut	1319A	797669	Label-Warning
1029	797443	Arm-Rocker (Metric)			(Intake Manifold)	1330	272147	Repair Manual
		(Used After Code Date 09061700).	1210		Pulley/Spring Assembly	1345	699887	Filter-Filler Neck
		----- Note -----			(Pulley)	1345A	792917	Filter-Filler Neck
		691230 Arm-Rocker (SAE)			(Used After Code Date 11123100).	1363	790334	Sprocket-Gear Reduction
		(Used Before Code Date 09061800).			(Not Serviced	1364	790335	Chain-Gear Reduction
1034	691343	Guide-Push Rod			Separate. Service With	1365	790336	Shaft-Output Gear Reduction
1036		Label-Emissions (Available From An Authorized Briggs & Stratton Service Dealer)			Rewind Assembly.)	1367	690936	Screw
					----- Note -----			(Gear Reduction Sprocket)
					791849 Pulley/Spring Assembly	1368	690301	Washer
					(Pulley)			(Gear Reduction Sprocket)
					(Used Before Code Date 12010100).			

Illustrations cover a range of engines. Parts shown without corresponding text may not be used on your specific engine.
3378-18 Assemblies include all parts shown in frames. 06/26/2014

