

# Illustrated Parts List

## Model Series

# 13U200

TYPE NUMBERS  
0001 through 0026.

### TABLE OF CONTENTS

Air Cleaner .....	4
Armature .....	8
Blower Housing .....	7
Camshaft .....	2
Carburetor .....	5
Controls .....	8
Crankcase Cover .....	2
Crankshaft .....	2
Cylinder .....	2
Cylinder Head .....	3
Electrical System .....	8
Exhaust System .....	4
Flywheel .....	7
Fuel Supply .....	6
Gasket Sets .....	3
Governor Spring .....	8
Ignition .....	8
Piston/Rings/Connecting Rod .....	2
Rewind Starter .....	7
Spark Plug .....	8
Warning Label .....	2



PRINTED IN U.S.A.

COPYRIGHT by BRIGGS & STRATTON CORPORATION  
All rights reserved. No part of this material may be reproduced or transmitted,  
in any form or by any means, electronic or mechanical, including photocopying,  
recording or by any information storage and retrieval system, without permission  
in writing from Briggs & Stratton Corporation.



1319 WARNING LABEL

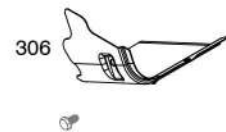
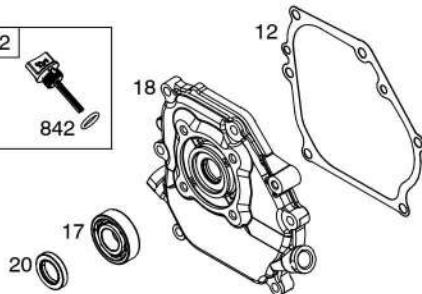
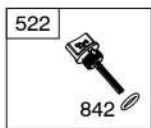
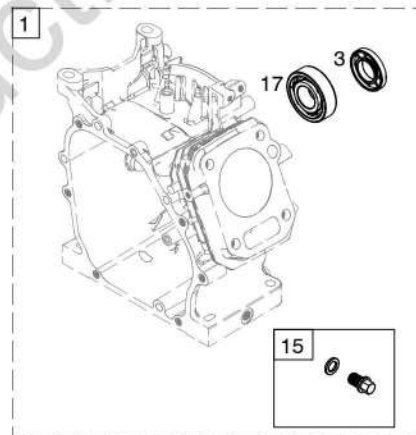
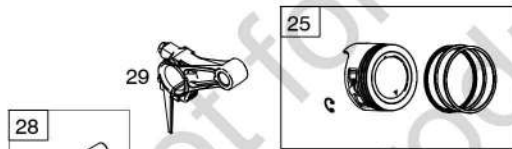
<b>WARNING</b>	
	Read and follow Operating Instructions before running engine.
	Gasoline is flammable. Allow engine to cool at least 2 minutes before refueling.
	Engines emit carbon monoxide, <b>DO NOT</b> run in enclosed area.
	Muffler area temperature may exceed 150°F. Do not touch hot parts.

**REQUIRED** when replacing parts with warning labels affixed.

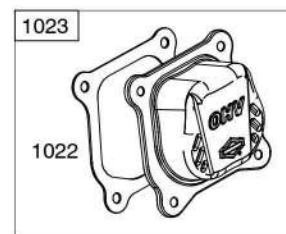
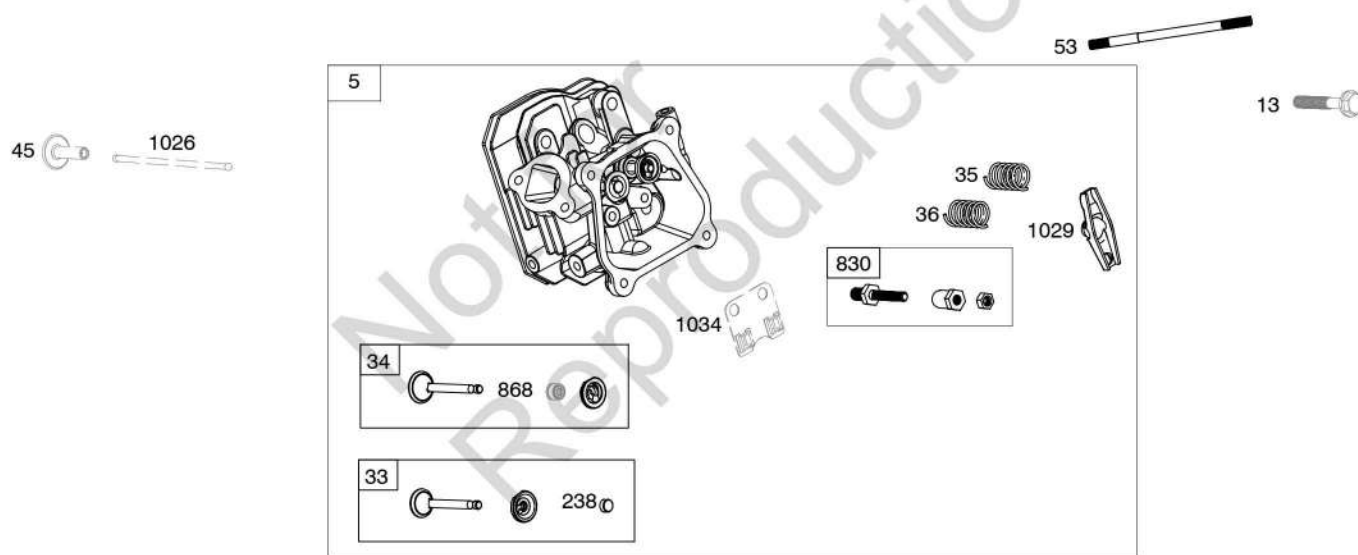
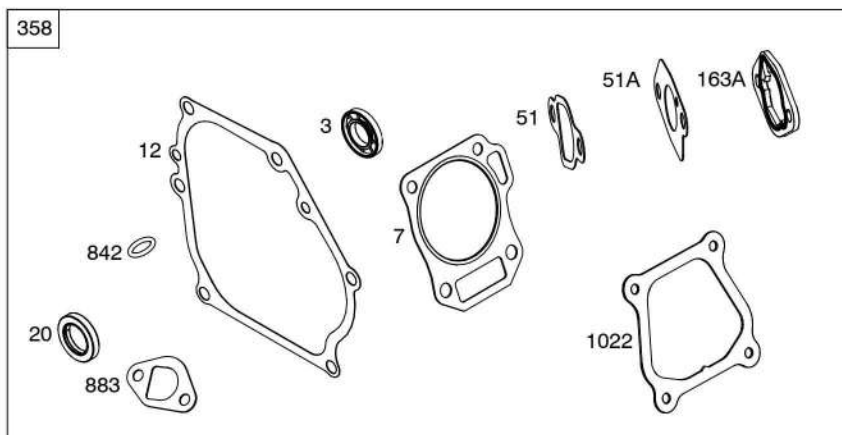
1319A WARNING LABEL

**REQUIRED** when replacing parts with warning labels affixed.

1036 EMISSIONS LABEL

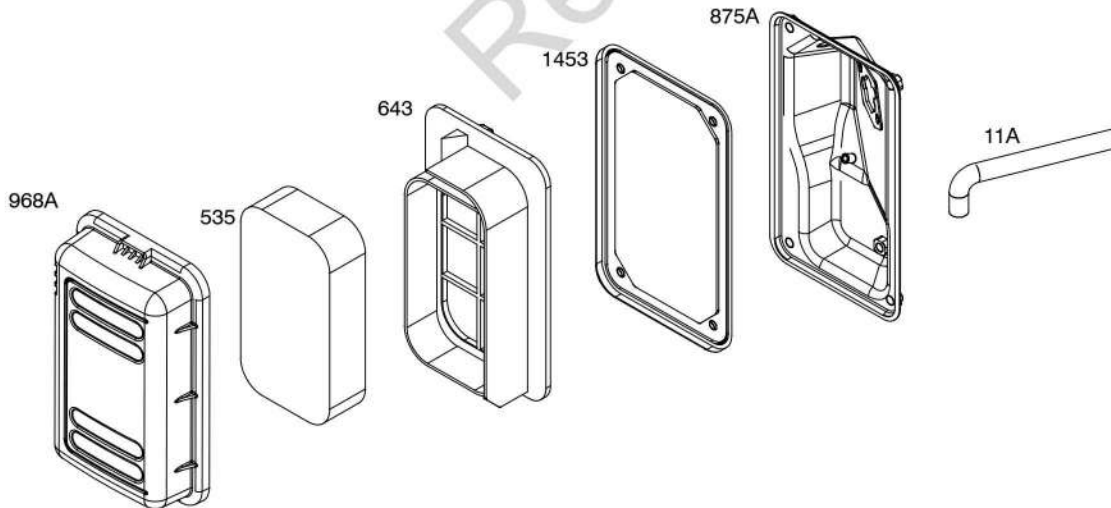
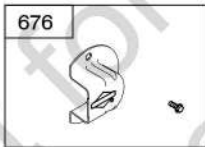
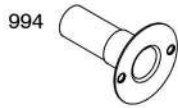
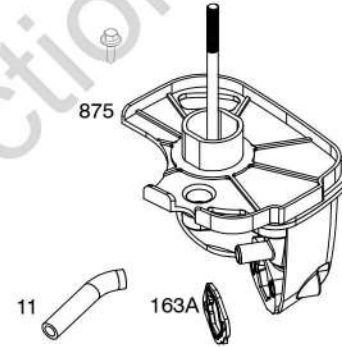
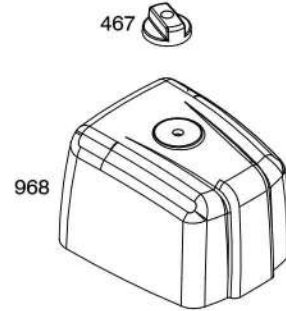
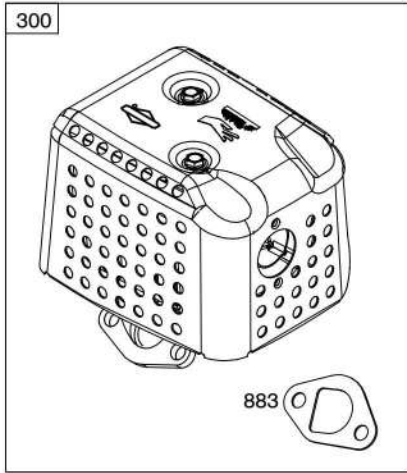


*Illustrations cover a range of engines. Parts shown without text may not be used on your specific engine.*

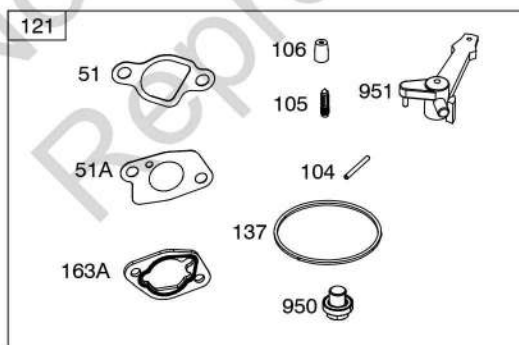
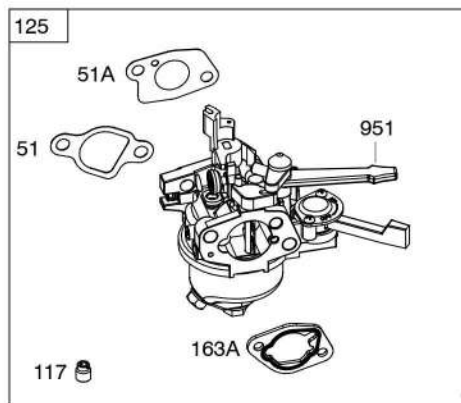
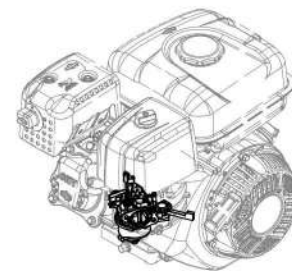


Illustrations cover a range of engines. Parts shown without text may not be used on your specific engine.

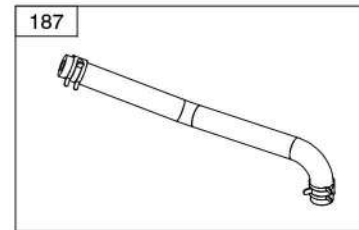
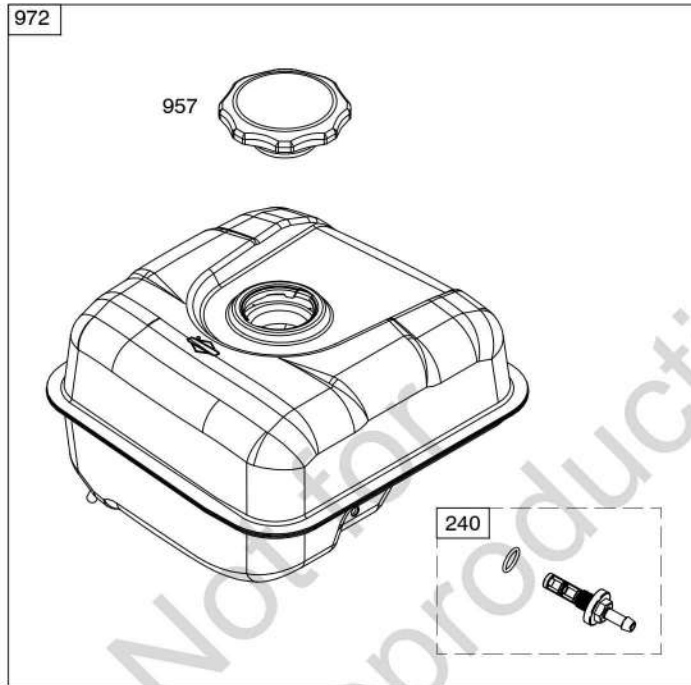
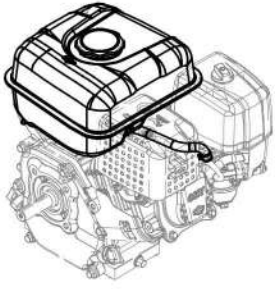
# 13U200



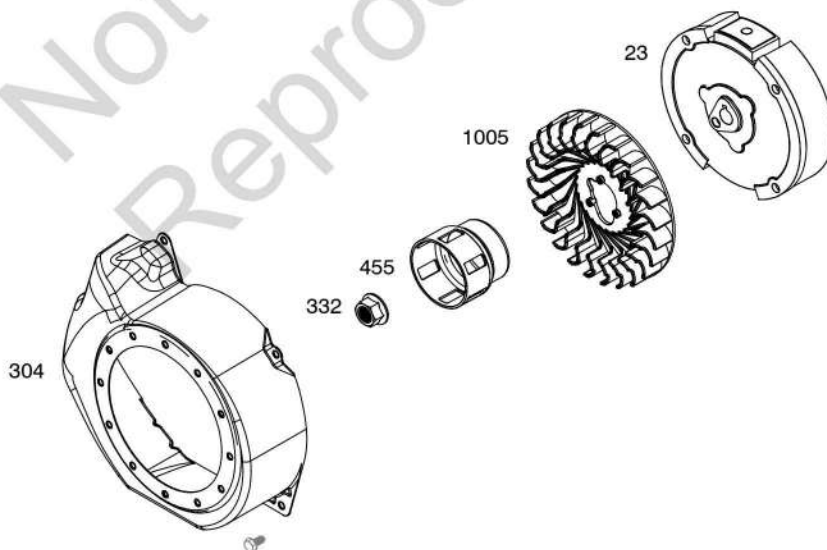
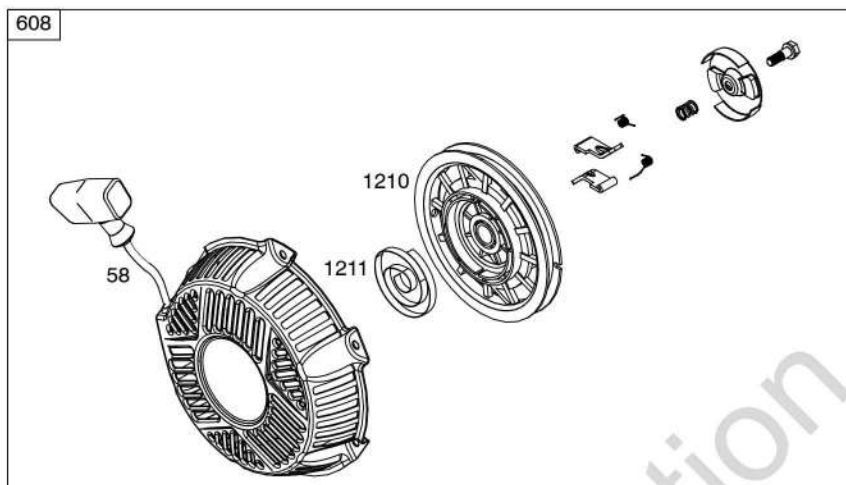
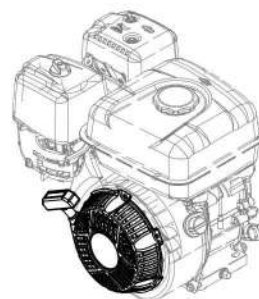
*Illustrations cover a range of engines. Parts shown without text may not be used on your specific engine.*



*Illustrations cover a range of engines. Parts shown without text may not be used on your specific engine.*

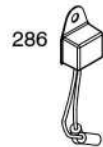
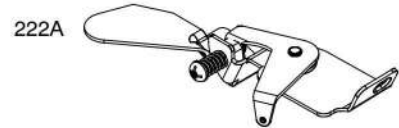
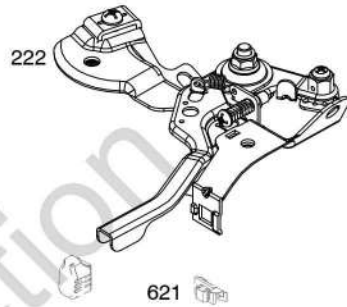
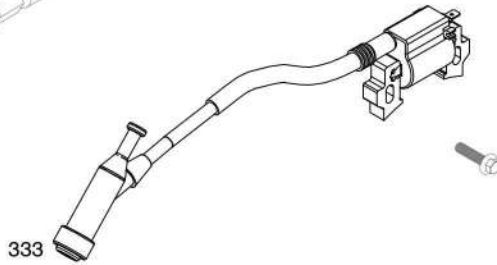
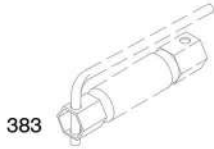
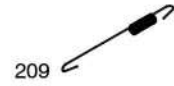
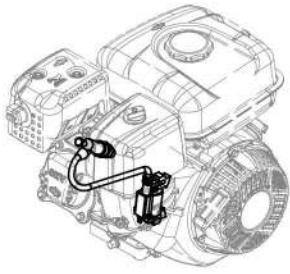


*Illustrations cover a range of engines. Parts shown without text may not be used on your specific engine.*



*Illustrations cover a range of engines. Parts shown without text may not be used on your specific engine.*

# 13U200



Illustrations cover a range of engines. Parts shown without text may not be used on your specific engine.



REF. NO.	PART NO.	DESCRIPTION	REF. NO.	PART NO.	DESCRIPTION	REF. NO.	PART NO.	DESCRIPTION	
1		Cylinder Assembly (Currently Not Available)	17	596284	Bearing- Ball	53	797278	Stud (Carburetor)	
3		Seal- Oil (Magneto Side) (Not Available Individually) (See Reference 358 For Replacement)	18	596289	Cover- Crankcase Used on Type No(s). 0002, 0003, 0008, 0015, 0016, 0017, 0023.			----- <b>Note</b> ----- 596309 Stud (Carburetor) Used on Type No(s). 0013, 0014.	
5	596310	Head- Cylinder			----- <b>Note</b> ----- 596288 Cover- Crankcase Used on Type No(s). 0001, 0004, 0009, 0018, 0026.	58	691921	Rope- Starter (Cut To Required Length)	
7		Gasket- Cylinder Head (Not Available Individually) (See Reference 358 For Replacement)			596308 Cover- Crankcase Used on Type No(s). 0013, 0014.	104		Pin- Float Hinge (Not Available Individually) (See Reference 121 For Replacement)	
11	797262	Tube- Breather	20		Seal- Oil (PTO Side) (Not Available Individually) (See Reference 358 For Replacement)	105		Valve- Float Needle (Not Available Individually) (See Reference 121 For Replacement)	
11A	596312	Tube- Breather			22		106	Seat- Inlet (Not Available Individually - See Reference 121 For Replacement)	
12		Gasket- Crankcase (Not Available Individually) (See Reference 358 For Replacement)			23	596299	117	595846	Jet- Main (Standard)
13		Screw (Cylinder Head) (Currently Not Available)			24	797812			----- <b>Note</b> ----- 595842 Jet- Main (Standard) Used on Type No(s). 0013, 0014.
15	797215	Plug- Oil Drain			25	594235	118	595847	Jet- Main (High Altitude)
16	594243	Crankshaft Used on Type No(s). 0001, 0004, 0009, 0026.			28	596287			----- <b>Note</b> ----- 595843 Jet- Main (High Altitude) Used on Type No(s). 0013, 0014.
		----- <b>Note</b> ----- 594242 Crankshaft Used on Type No(s). 0002, 0003, 0008, 0017, 0023.			29	594127	121	594133	Kit- Carburetor Overhaul
		594244 Crankshaft Used on Type No(s). 0015, 0016, 0018.			33	594237	122	596294	Spacer- Carburetor
		594246 Crankshaft Used on Type No(s). 0013, 0014.			34	594236	125	594238	Carburetor
					35	797203			----- <b>Note</b> ----- 594239 Carburetor Used on Type No(s). 0013, 0014.
					36	797203	137		Gasket- Float Bowl (Not Available Individually) (See Reference 121 For Replacement)
					37	596283			
					45				
					46	596307			
					51				
					51A				

# 13U200

REF. NO.	PART NO.	DESCRIPTION	REF. NO.	PART NO.	DESCRIPTION	REF. NO.	PART NO.	DESCRIPTION
163A		Gasket- Air Cleaner (Not Available Individually) (See Reference 121, 125 & 358 For Replacement)	412	799830	Nut (Air Cleaner Cover)	951		Lever- Choke (Not Available Individually) (See Reference 121 & 125 For Replacement)
187	594142	Line- Fuel (Formed Hose)	445	594146	Filter- Air Cleaner Cartridge	957	594135	Cap- Fuel Tank
202	596301	Link- Mechanical Governor	455	596297	Cup- Flywheel	968	596292	Cover- Air Cleaner
209	596302	Spring- Governor ----- Note ----- 798626 Spring- Governor Used on Type No(s). 0013, 0014.	467	691985	Knob- Air Cleaner Cover	968A	595845	Cover- Air Cleaner
222	596303	Bracket- Control	522	594143	Plug- Dipstick/Fill	972	594134	Tank- Fuel
222A	596377	Bracket- Control	535	594234	Filter- Air Cleaner Foam	994	596327	Arrestor- Spark
227	797231	Lever- Governor Control	608	594136	Starter- Rewind	1005	596298	Fan- Flywheel
238	797206	Cap- Valve	616	596282	Crank- Governor	1022		Gasket- Rocker Cover (Not Available Individually) (See Reference 358 For Replacement)
240		Filter- Fuel (Not Available Individually) (See Reference 972 For Replacement)	621		Switch- Stop (Currently Not Available)	1023	797196	Cover- Rocker Arm
286	797772	Module- Oil Sensor	643	596313	Retainer- Air Filter	1026		Rod- Push (Currently Not Available)
300	596331	Muffler	676	797352	Deflector- Muffler	1029	797202	Arm- Rocker
304	596296	Housing- Blower ----- Note ----- 596295 Housing- Blower Used on Type No(s). 0001, 0013, 0014.	789	596304	Harness- Wiring Used on Type No(s). 0002, 0008, 0009, 0013, 0014, 0017, 0023, 0026.	1034		Guide- Push Rod (Currently Not Available)
306	596285	Shield- Cylinder	789A	596306	Harness- Wiring Used on Type No(s). 0001.	1036		Label- Emissions (Available From A Briggs & Stratton Authorized Dealer)
332	797285	Nut (Flywheel)	789B	596305	Harness- Wiring Used on Type No(s). 0003, 0004, 0015, 0016, 0018.	1052	798631	Sensor- Oil
333	797343	Armature- Magneto	830	797200	Stud- Rocker Arm	1210		Pulley/Spring Assembly (Pulley) (Not Available Individually) (See Reference 608 For Replacement)
337	798615	Plug- Spark	842		Seal- O Ring (Dipstick Tube) (Not Available Individually) (See Reference 358 & 522 For Replacement)	1211		Pulley/Spring Assembly (Spring) (Not Available Individually) (See Reference 608 For Replacement)
347	596300	Switch- Rocker	868		Seal- Valve (Intake) (Currently Not Available)	1319	794467	Label- Warning
357	798305	Key- Drive Pulley Used on Type No(s). 0002, 0008, 0017, 0023. ----- Note ----- 590719 Key- Drive Pulley Used on Type No(s). 0001, 0004, 0009, 0026.	875	596293	Base- Air Cleaner	1319A	797669	Label- Warning
358	594272	Gasket Set- Engine	875A	596311	Base- Air Cleaner	1453	596314	Seal- Air Cleaner Cover
383		Wrench- Spark Plug (Currently Not Available)	883		Gasket- Exhaust (Not Available Individually) (See Reference 300 & 358 For Replacement)			
			950		Screw- Float Bowl (Not Available Individually) (See Reference 121 For Replacement)			

Illustrations cover a range of engines. Parts shown without corresponding text may not be used on your specific engine.  
10550-10 Assemblies include all parts shown in frames. 11/01/2016

Not for  
Reproduction

Not for  
Reproduction

