



Illustrated Parts List

Model Series

106200

TYPE NUMBERS
0001 through 0168.

TABLE OF CONTENTS

Air Cleaner	6
Alternator	8
Armature	8
Blower Housing	7
Camshaft	2
Carburetor	5
Controls	8
Crankcase Cover	2
Crankshaft	2
Cylinder	2
Cylinder Head	3
Electrical System	8
Exhaust System	4
Flywheel	7
Fuel Supply	4
Gasket Set	3
Governor Spring	8
Ignition	8
Operator's Manual	2
Piston/Rings/Connecting Rod	2
Rewind Starter	7
Spark Plug	8
Warning Label	2



PRINTED IN U.S.A.

COPYRIGHT by BRIGGS & STRATTON CORPORATION
All rights reserved. No part of this material may be reproduced or transmitted, in any form or by any means, electronic or mechanical, including photocopying, recording or by any information storage and retrieval system, without permission in writing from Briggs & Stratton Corporation.

1319 WARNING LABEL



REQUIRED when replacing parts with warning labels affixed.

1319A WARNING LABEL

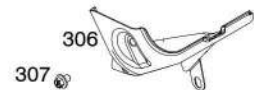
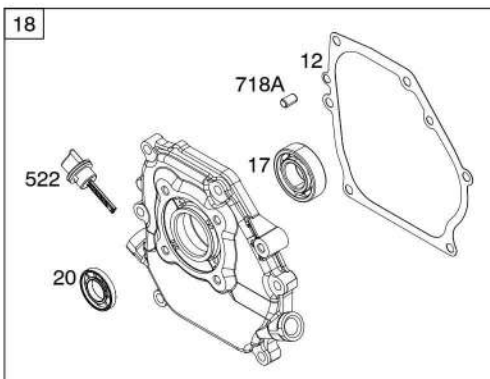
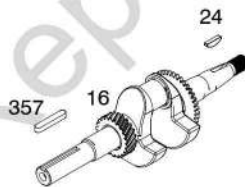
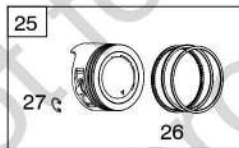
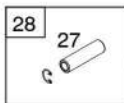
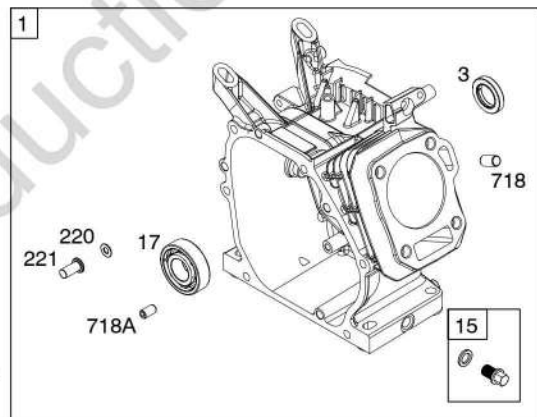
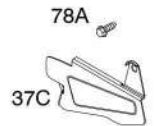
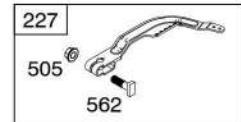
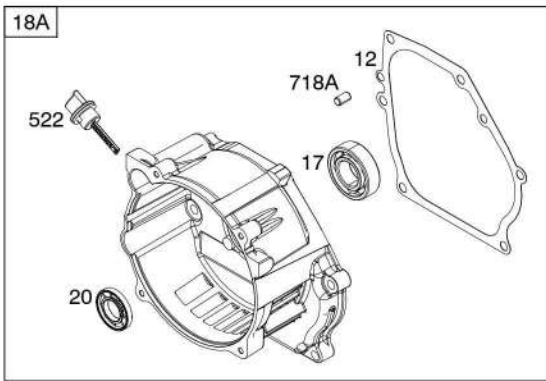


REQUIRED when replacing parts with warning labels affixed.

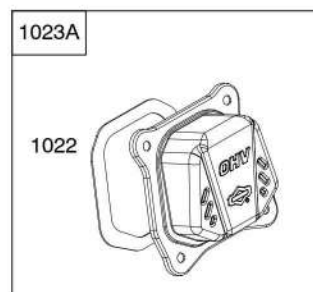
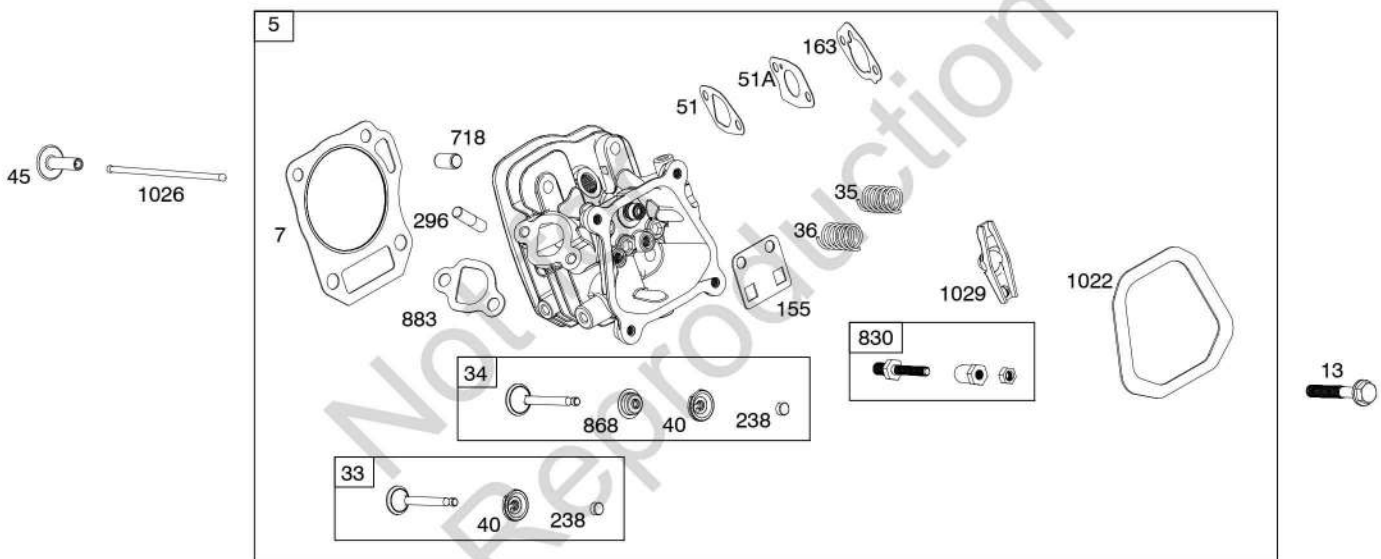
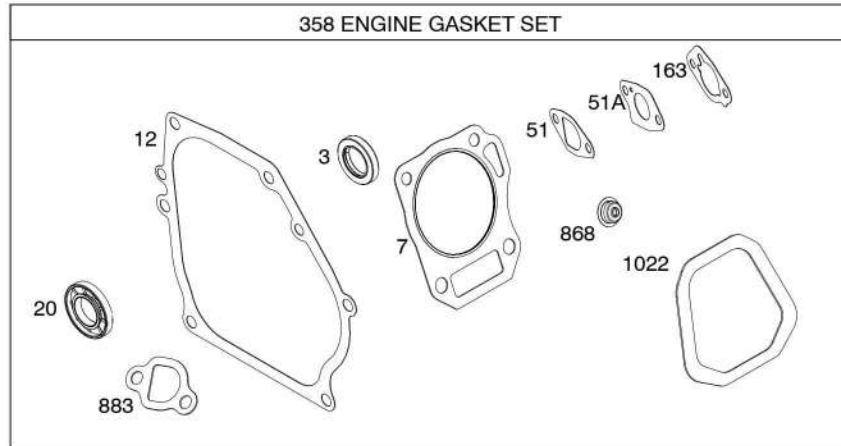
1058 OPERATOR'S MANUAL



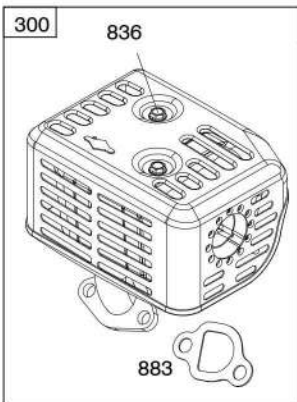
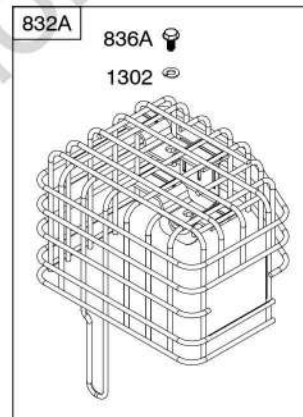
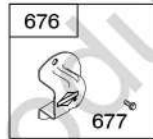
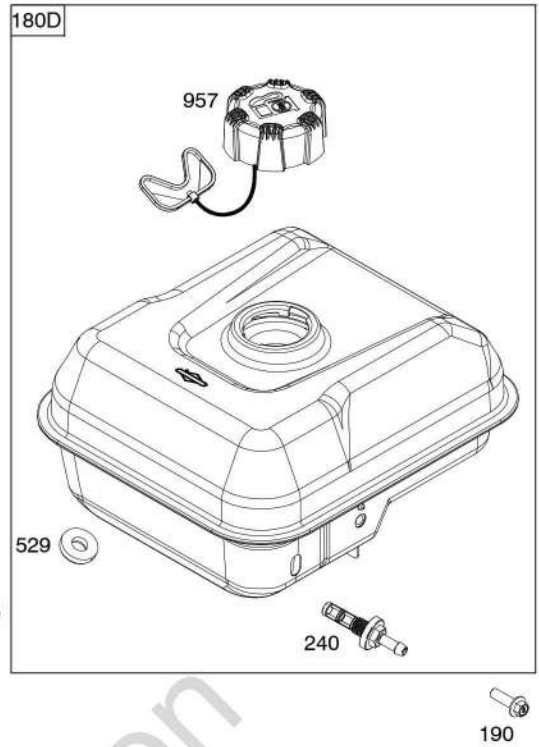
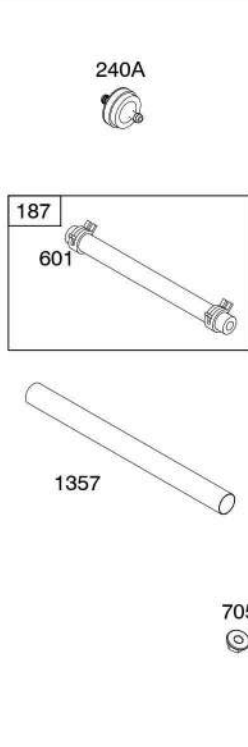
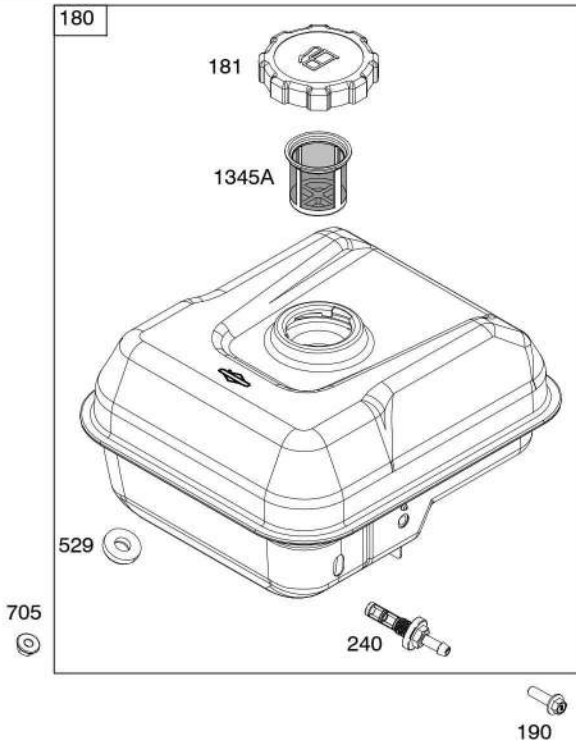
1036 EMISSIONS LABEL



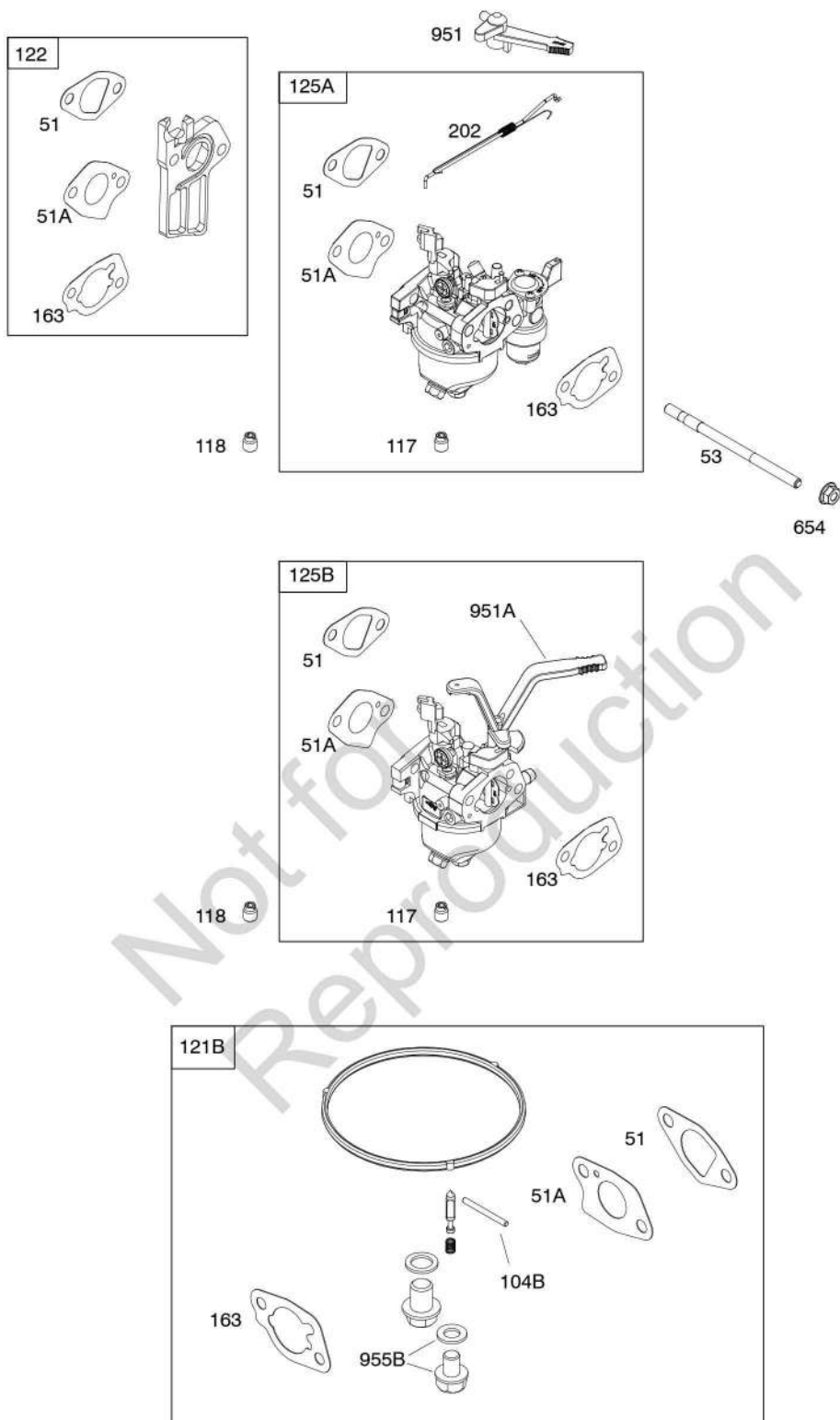
Illustrations cover a range of engines. Parts shown without text may not be used on your specific engine.



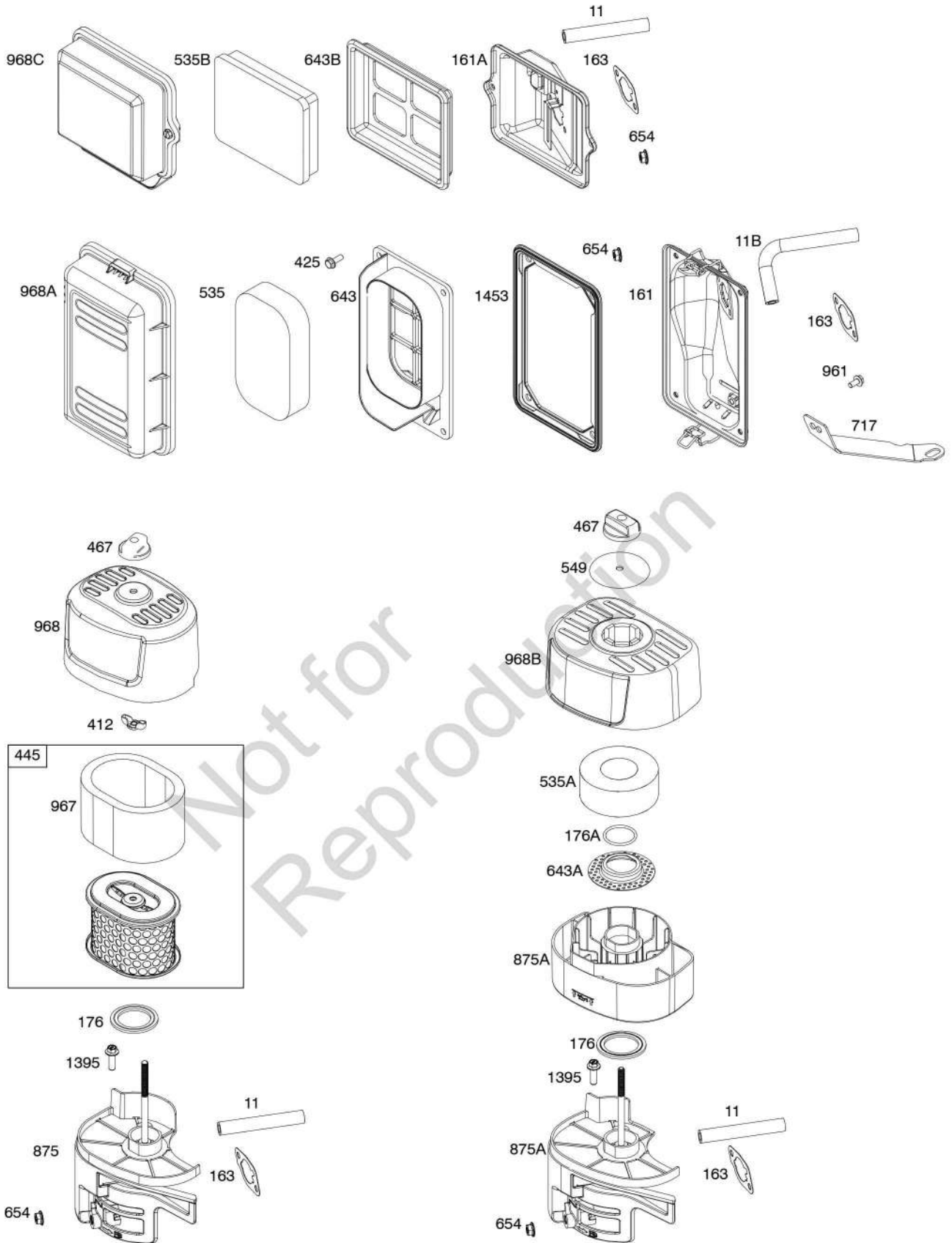
Illustrations cover a range of engines. Parts shown without text may not be used on your specific engine.



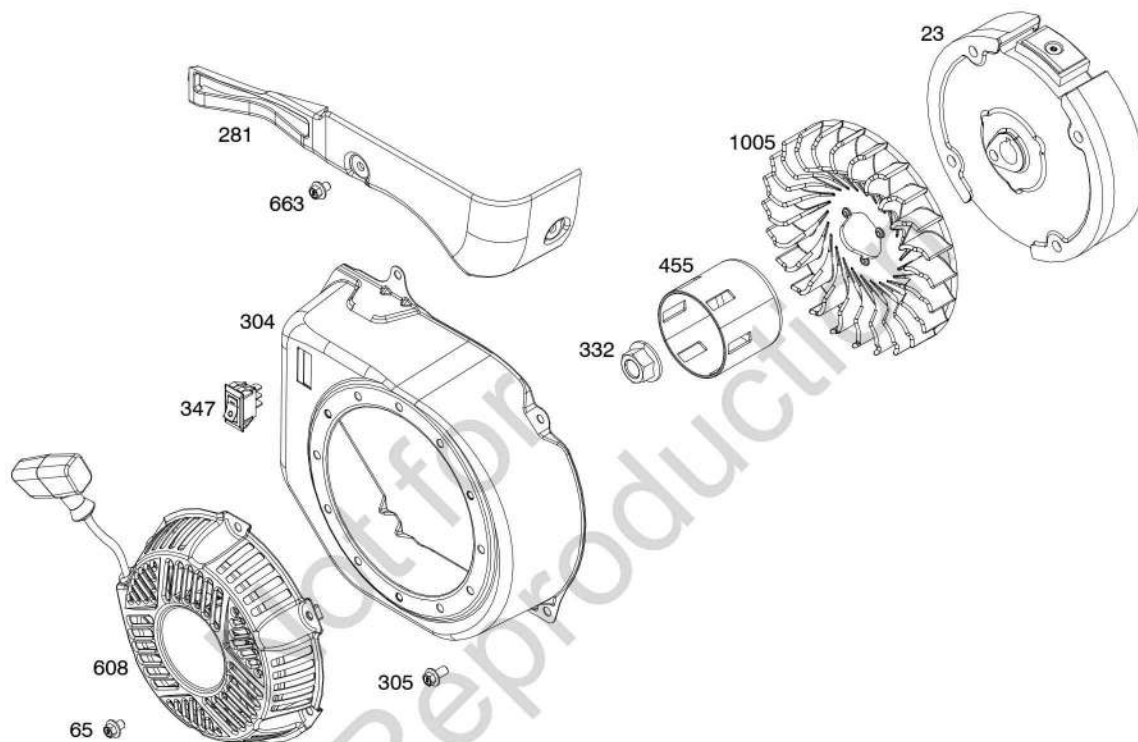
Illustrations cover a range of engines. Parts shown without text may not be used on your specific engine.



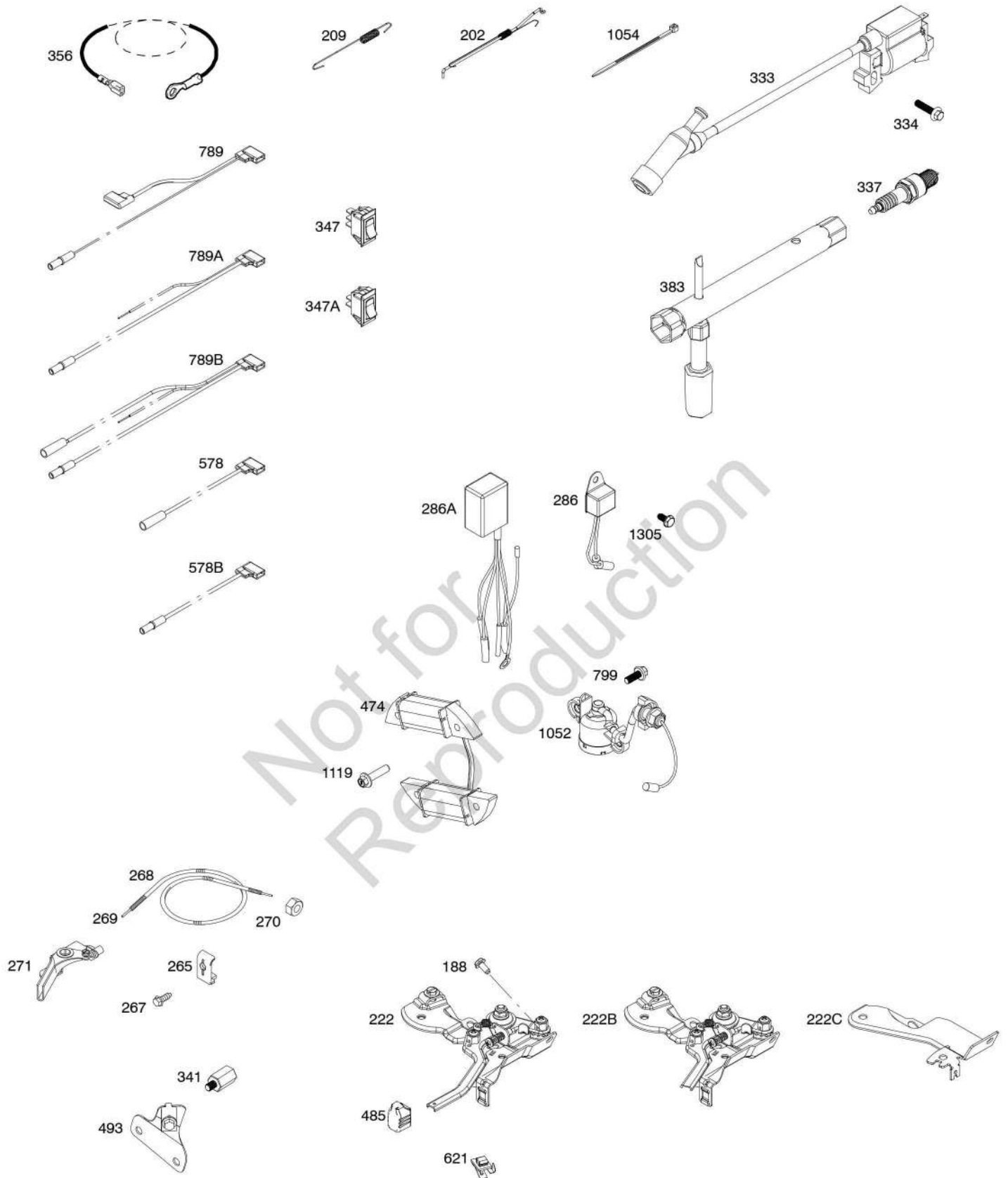
Illustrations cover a range of engines. Parts shown without text may not be used on your specific engine.



Illustrations cover a range of engines. Parts shown without text may not be used on your specific engine.



Illustrations cover a range of engines. Parts shown without text may not be used on your specific engine.



Illustrations cover a range of engines. Parts shown without text may not be used on your specific engine.

REF. NO.	PART NO.	DESCRIPTION	REF. NO.	PART NO.	DESCRIPTION	REF. NO.	PART NO.	DESCRIPTION
1	590666	Cylinder Assembly ----- Note ----- 590752 Cylinder Assembly Used on Type No(s). 0009, 0023, 0030, 0034, 0036, 0038, 0040, 0045, 0049, 0050, 0110, 0120, 0121, 0122, 0123, 0126, 0127, 0132, 0139, 0141, 0142, 0147, 0151, 0162, 0164. 592263 Cylinder Assembly Used on Type No(s). 0167, 0168.			590618 Crankshaft Used on Type No(s). 0001, 0012, 0025, 0037, 0112, 0117, 0122, 0134, 0139, 0143, 0150, 0151, 0154, 0155, 0157, 0162, 0164. 590619 Crankshaft Used on Type No(s). 0006, 0115, 0124, 0125, 0148, 0166. 590620 Crankshaft Used on Type No(s). 0033, 0130. 590621 Crankshaft Used on Type No(s). 0029, 0131, 0138, 0153. 591288 Crankshaft Used on Type No(s). 0038, 0142. 591289 Crankshaft Used on Type No(s). 0128. 591728 Crankshaft Used on Type No(s). 0028, 0167, 0168. 591764 Crankshaft Used on Type No(s). 0023, 0144. 591765 Crankshaft Used on Type No(s). 0145.	18A	592262	Cover-Crankcase Used on Type No(s). 0028, 0167, 0168.
3	590712	Seal-Oil (Magneto Side)				20	590712	Seal-Oil (PTO Side)
5	590656	Head-Cylinder				22	590714	Screw (Crankcase Cover/Sump)
7	590606	Gasket-Cylinder Head				23	590681	Flywheel ----- Note ----- 592255 Flywheel Used on Type No(s). 0009, 0010, 0023, 0050.
11	590698	Tube-Breather ----- Note ----- 593443 Tube-Breather Used on Type No(s). 0050.				24	797286	Key-Flywheel
11B	591725	Tube-Breather Used on Type No(s). 0009, 0023, 0167, 0168.				25	590662	Piston Assembly (Standard) ----- Note ----- 590741 Piston Assembly (.010" Oversize) 590743 Piston Assembly (.020" Oversize)
12	590608	Gasket-Crankcase				26	590661	Ring Set (Standard) ----- Note ----- 590742 Ring Set (.010" Oversize) 590744 Ring Set (.020" Oversize)
13	590639	Screw (Cylinder Head)				27	590664	Lock-Piston Pin
15	590678	Plug-Oil Drain				28	590663	Pin-Piston
16	590616	Crankshaft Used on Type No(s). 0020, 0022, 0135, 0136. ----- Note ----- 590617 Crankshaft Used on Type No(s). 0004, 0007, 0009, 0010, 0019, 0021, 0027, 0030, 0034, 0036, 0040, 0044, 0045, 0049, 0050, 0110, 0111, 0116, 0120, 0121, 0123, 0126, 0127, 0129, 0132, 0141, 0146, 0147, 0152, 0158, 0160, 0161.	17	590715	Bearing-Ball	29	590665	Rod-Connecting
			18	590717	Cover-Crankcase ----- Note ----- 590718 Cover-Crankcase Used on Type No(s). 0001, 0006, 0012, 0025, 0029, 0030, 0034, 0036, 0045, 0110, 0111, 0112, 0115, 0117, 0120, 0122, 0124, 0125, 0126, 0128, 0134, 0139, 0141, 0142, 0143, 0144, 0145, 0150, 0151, 0154, 0155, 0157, 0162, 0164, 0166.	33	590647	Valve-Exhaust
						34	590646	Valve-Intake
						35	590650	Spring-Valve (Intake)
						36	590650	Spring-Valve (Exhaust)

Illustrations cover a range of engines. Parts shown without corresponding text may not be used on your specific engine.
10357-9 Assemblies include all parts shown in frames. 11/22/2013

106200

REF. NO.	PART NO.	DESCRIPTION	REF. NO.	PART NO.	DESCRIPTION	REF. NO.	PART NO.	DESCRIPTION
37	590642	Guard-Flywheel	121B	591770	Kit-Carburetor Overhaul	190	590643	Screw (Fuel Tank)
37C	592260	Guard-Flywheel				202	591438	Link-Mechanical Governor
40	590654	Retainer-Valve	122	590615	Spacer-Carburetor			----- Note -----
45	590657	Tappet-Valve	125A	591439	Carburetor (Used Before Code Date 13073000.)			591438 Link-Mechanical Governor (Used After Code Date 12022300.)
46	590611	Camshaft						Used on Type No(s). 0112, 0116, 0117, 0121, 0123, 0124, 0127, 0128, 0134, 0147, 0148, 0152.
51	590612	Gasket-Intake						591438 Link-Mechanical Governor (Used After Code Date 12030400.)
51A	590613	Gasket-Intake						Used on Type No(s). 0110, 0111, 0120, 0122, 0125, 0126, 0129, 0130, 0131, 0132, 0135, 0136, 0138, 0139, 0141, 0142, 0143, 0146.
53	590691	Stud (Carburetor)						590645 Link-Mechanical Governor (Used Before Code Date 12022400.)
		----- Note -----						Used on Type No(s). 0112, 0116, 0117, 0121, 0123, 0124, 0127, 0128, 0134, 0147, 0148, 0152.
		591724 Stud (Carburetor)						590645 Link-Mechanical Governor (Used Before Code Date 12022400.)
		Used on Type No(s). 0009, 0023, 0050, 0167, 0168.						Used on Type No(s). 0112, 0116, 0117, 0121, 0123, 0124, 0127, 0128, 0134, 0147, 0148, 0152.
65	590683	Screw (Rewind Starter)						590645 Link-Mechanical Governor (Used Before Code Date 12022400.)
78	590643	Screw (Flywheel Guard)						Used on Type No(s). 0112, 0116, 0117, 0121, 0123, 0124, 0127, 0128, 0134, 0147, 0148, 0152.
78A	590703	Screw (Flywheel Guard)						590645 Link-Mechanical Governor (Used Before Code Date 12022400.)
104B	592486	Pin-Float Hinge						Used on Type No(s). 0112, 0116, 0117, 0121, 0123, 0124, 0127, 0128, 0134, 0147, 0148, 0152.
117	593414	Jet-Main (Standard)						590645 Link-Mechanical Governor (Used Before Code Date 12022400.)
		----- Note -----						Used on Type No(s). 0112, 0116, 0117, 0121, 0123, 0124, 0127, 0128, 0134, 0147, 0148, 0152.
		593359 Jet-Main (Standard)	125B	592261	Carburetor (Used on Type No(s). 0167, 0168.)			590645 Link-Mechanical Governor (Used Before Code Date 12022400.)
		Used on Type No(s). 0030, 0034, 0036, 0044.						Used on Type No(s). 0112, 0116, 0117, 0121, 0123, 0124, 0127, 0128, 0134, 0147, 0148, 0152.
		591769 Jet-Main (Standard)						590645 Link-Mechanical Governor (Used Before Code Date 12022400.)
		Used on Type No(s). 0009, 0023, 0050, 0167, 0168.						Used on Type No(s). 0112, 0116, 0117, 0121, 0123, 0124, 0127, 0128, 0134, 0147, 0148, 0152.
118	593415	Jet-Main (High Altitude)						590645 Link-Mechanical Governor (Used Before Code Date 12022400.)
		----- Note -----						Used on Type No(s). 0112, 0116, 0117, 0121, 0123, 0124, 0127, 0128, 0134, 0147, 0148, 0152.
		593413 Jet-Main (High Altitude)						590645 Link-Mechanical Governor (Used Before Code Date 12022400.)
		Used on Type No(s). 0030, 0034, 0036, 0044.						Used on Type No(s). 0112, 0116, 0117, 0121, 0123, 0124, 0127, 0128, 0134, 0147, 0148, 0152.
		592917 Jet-Main (High Altitude)						590645 Link-Mechanical Governor (Used Before Code Date 12022400.)
		Used on Type No(s). 0009, 0023, 0050, 0167, 0168.						Used on Type No(s). 0112, 0116, 0117, 0121, 0123, 0124, 0127, 0128, 0134, 0147, 0148, 0152.
			155	590655	Plate-Cylinder Head			590645 Link-Mechanical Governor (Used Before Code Date 12022400.)
			161	591714	Base-Air Cleaner (Metal)			Used on Type No(s). 0112, 0116, 0117, 0121, 0123, 0124, 0127, 0128, 0134, 0147, 0148, 0152.
			161A	593441	Base-Air Cleaner (Metal)			590645 Link-Mechanical Governor (Used Before Code Date 12022400.)
			163	590605	Gasket-Air Cleaner			Used on Type No(s). 0112, 0116, 0117, 0121, 0123, 0124, 0127, 0128, 0134, 0147, 0148, 0152.
			176	590695	Seal-O Ring (Air Cleaner Base)			590645 Link-Mechanical Governor (Used Before Code Date 12022400.)
			176A	793441	Seal-O Ring (Air Cleaner Base)			Used on Type No(s). 0112, 0116, 0117, 0121, 0123, 0124, 0127, 0128, 0134, 0147, 0148, 0152.
			180	590686	Tank-Fuel			590645 Link-Mechanical Governor (Used Before Code Date 12022400.)
			180D	592900	Tank-Fuel (Used on Type No(s). 0020, 0027.)			Used on Type No(s). 0110, 0111, 0120, 0122, 0125, 0126, 0129, 0130, 0131, 0132, 0135, 0136, 0138, 0139, 0141, 0142, 0143, 0146.
			181	794641	Cap-Fuel Tank			590645 Link-Mechanical Governor (Used Before Code Date 12022400.)
			187	791766	Line-Fuel (Cut To Required Length)			Used on Type No(s). 0110, 0111, 0120, 0122, 0125, 0126, 0129, 0130, 0131, 0132, 0135, 0136, 0138, 0139, 0141, 0142, 0143, 0146.
			188	590850	Screw (Control Bracket)			590645 Link-Mechanical Governor (Used Before Code Date 12022400.)

Illustrations cover a range of engines. Parts shown without corresponding text may not be used on your specific engine. 10357-10 Assemblies include all parts shown in frames. 11/22/2013

REF. NO.	PART NO.	DESCRIPTION	REF. NO.	PART NO.	DESCRIPTION	REF. NO.	PART NO.	DESCRIPTION			
209	590623	Spring-Governor (Yellow) Used on Type No(s). 0004, 0006, 0007, 0010, 0012, 0019, 0020, 0021, 0025. 0027, 0028, 0033, 0038, 0044, 0112, 0115, 0124, 0125, 0128, 0134, 0144, 0145, 0148, 0151, 0152, 0153, 0154, 0157, 0158, 0160, 0161, 0164, 0166. ----- Note ----- 590623 Spring-Governor (Yellow) (Used After Code Date 12022300.) Used on Type No(s). 0116, 0117, 0121, 0123, 0147. 590623 Spring-Governor (Yellow) (Used After Code Date 12030400.) Used on Type No(s). 0122. 590624 Spring-Governor (White) Used on Type No(s). 0030, 0110, 0111, 0127, 0132, 0139, 0155, 0162. 590624 Spring-Governor (White) (Used After Code Date 12030400.) Used on Type No(s). 0126, 0131, 0138. 590624 Spring-Governor (White) (Used Before Code Date 12030500.) Used on Type No(s). 0120, 0129, 0130, 0135, 0136, 0141, 0142, 0143, 0146.			590625 Spring-Governor (Blue) Used on Type No(s). 0001, 0009, 0022, 0023, 0034, 0036, 0037, 0040, 0045, 0049, 0050, 0150. 590625 Spring-Governor (Blue) (Used After Code Date 12030400.) Used on Type No(s). 0120, 0129, 0130, 0135, 0136, 0141, 0142, 0143, 0146. 590625 Spring-Governor (Blue) (Used Before Code Date 12022400.) Used on Type No(s). 0116, 0117, 0121, 0123, 0147. 590625 Spring-Governor (Blue) (Used Before Code Date 12030500.) Used on Type No(s). 0126. 590626 Spring-Governor (Red) (Used Before Code Date 12030500.) Used on Type No(s). 0126. 590627 Spring-Governor (Green) (Used Before Code Date 12030500.) Used on Type No(s). 0131, 0138. 591622 Spring-Governor (No Color) Used on Type No(s). 0029, 0167, 0168.	220	590677	Washer (Governor Gear)			221 590676 Cup-Governor 222 590705 Bracket-Control 222B 592256 Bracket-Control Used on Type No(s). 0009, 0023, 0050. 222C 591723 Bracket-Control Used on Type No(s). 0029, 0167, 0168. 227 590660 Lever-Governor Control 238 590649 Cap-Valve 240 797346 Filter-Fuel 240A 394358s Filter-Fuel 265 691024 Clamp-Casing 267 699492 Screw (Casing Clamp) 268 691025 Casing-Control Wire (Cut To Required Length) 269 691026 Wire-Control (Cut To Required Length) 270 691027 Nut (Control Wire Casing) 271 691028 Lever-Control 281 590707 Panel-Control 286 590702 Module-Oil Sensor 286A 591729 Module-Oil Sensor 296 590631 Stud (Muffler) 300 590709 Muffler 300A 797687 Muffler ----- Note ----- 591618 Muffler Used on Type No(s). 0004, 0007, 0012, 0021, 0029, 0030, 0034, 0036, 0037, 0038, 0040, 0044, 0045, 0049, 0110, 0111, 0120, 0121, 0126, 0127, 0129, 0130, 0131, 0132, 0139, 0141, 0142, 0146, 0147, 0155, 0161.

106200

REF. NO.	PART NO.	DESCRIPTION	REF. NO.	PART NO.	DESCRIPTION	REF. NO.	PART NO.	DESCRIPTION
304	590724	Housing-Blower ----- Note ----- 590725 Housing-Blower Used on Type No(s). 0009, 0023, 0030, 0034, 0036, 0045, 0049, 0050, 0110, 0111, 0120, 0126, 0127, 0132, 0139, 0141, 0142, 0147, 0162, 0167, 0168.	445	590601	Filter-Air Cleaner Cartridge	601	791850	Clamp-Hose
305	590850	Screw (Blower Housing)	455	590682	Cup-Flywheel	608	590607	Starter-Rewind ----- Note ----- 590726 Starter-Rewind Used on Type No(s). 0009, 0022, 0023, 0049, 0050, 0135.
306	590636	Shield-Cylinder	467	691985	Knob-Air Cleaner	614	590670	Pin-Cotter
307	590683	Screw (Cylinder Shield)	474	592254	Alternator	616	590668	Crank-Governor
332	590635	Nut (Flywheel)	485	797339	Knob-Control	621	692310	Switch-Stop
333	590603	Armature-Magneto	493	797700	Bracket-Mounting (Remote Choke)	643	591718	Retainer-Air Filter
334	590644	Screw (Magneto Armature)	505	590641	Nut (Governor Control Lever)	643A	593363	Retainer-Air Filter
337	491055s	Plug-Spark	522	590716	Plug-Dipstick/Fill	643B	593442	Retainer-Air Filter
341	797699	Stud (Mounting Bracket) (Remote Choke)	529	590687	Grommet (Fuel Tank)	654	590692	Nut (Carburetor)
347	697854	Switch-Rocker	535	591717	Filter-Air Cleaner Foam	663	590706	Screw (Speed Control Panel)
347A	795333	Switch-Rocker Used on Type No(s). 0038, 0040, 0121, 0122, 0123, 0151, 0164.	535A	792472	Filter-Air Cleaner Foam	676	590723	Deflector-Muffler
356	695630	Wire-Stop	535B	696263	Filter-Air Cleaner Foam	676A	797702	Deflector-Muffler
357	798305	Key-Drive Pulley ----- Note ----- 590719 Key-Drive Pulley Used on Type No(s). 0001, 0012, 0025, 0112, 0117, 0122, 0134, 0139, 0143, 0150, 0151, 0154, 0155, 0157, 0162, 0164.	549	593365	Washer (Air Cleaner Cover)	676B	591711	Deflector-Muffler
358	590748	Gasket Set-Engine	562	590640	Bolt (Governor-Control Lever)	677	590720	Screw (Muffler Deflector)
383	590721	Wrench-Spark Plug	578	590690	Wire Assembly Used on Type No(s). 0001, 0004, 0006, 0007, 0010, 0012, 0019, 0020, 0021, 0022, 0025, 0027, 0028, 0029, 0033, 0037, 0044, 0112, 0115, 0116, 0117, 0124, 0125, 0128, 0129, 0130, 0131, 0134, 0135, 0136, 0138, 0143, 0144, 0145, 0146, 0148, 0150, 0152, 0153, 0154, 0155, 0157, 0158, 0160, 0161, 0166, 0167, 0168.	705	590692	Nut (Fuel Tank)
404	590669	Washer (Governor Crank)	578B	592247	Wire Assembly Used on Type No(s). 0009, 0023, 0036, 0050.	717	591719	Bracket-Air Cleaner
412	590697	Nut (Air Cleaner Cover)				718	590637	Pin-Locating (Cylinder Head)
425	591716	Screw (Air Cleaner Cover)				718A	590713	Pin-Locating (Crankcase Cover)

Illustrations cover a range of engines. Parts shown without corresponding text may not be used on your specific engine.
10357-12 Assemblies include all parts shown in frames. 11/22/2013

REF. NO.	PART NO.	DESCRIPTION	REF. NO.	PART NO.	DESCRIPTION	REF. NO.	PART NO.	DESCRIPTION
789	590689	Harness-Wiring Used on Type No(s). 0001, 0004, 0006, 0007, 0010, 0012, 0019, 0020, 0021, 0022, 0025, 0027, 0028, 0029, 0033, 0037, 0038, 0040, 0044, 0112, 0115, 0116, 0117, 0121, 0122, 0123, 0124, 0125, 0128, 0129, 0130, 0131, 0134, 0135, 0136, 0138, 0143, 0144, 0145, 0146, 0148, 0150, 0151, 0152, 0153, 0154, 0155, 0157, 0158, 0160, 0161, 0164, 0166.	832A	591619	Guard-Muffler ----- Note ----- 591619 Guard-Muffler (Used After Code Date 12091700.) Used on Type No(s). 0004, 0007, 0110, 0111, 0120, 0121, 0126, 0127, 0129, 0130, 0131, 0132, 0139, 0141, 0142, 0146, 0147, 0155, 0161. 797688 Guard-Muffler (Used Before Code Date 12091800.) Used on Type No(s). 0004, 0007, 0110, 0111, 0120, 0121, 0126, 0127, 0129, 0130, 0131, 0132, 0139, 0141, 0142, 0146, 0147, 0155, 0161.	967	590602	Filter-Pre Cleaner
789A		Harness-Wiring (For Replacement Wire Harness, Order Reference 789B) Used on Type No(s). 0030, 0034, 0045, 0049, 0110, 0120, 0126, 0127, 0132, 0139, 0141, 0142, 0147, 0162.	836	590711	Screw (Muffler Guard)	968	590694	Cover-Air Cleaner
789B	590722	Harness-Wiring Used on Type No(s). 0111.	836A	590850	Screw (Muffler Guard)	968A	591720	Cover-Air Cleaner
799	590703	Screw (Oil Sensor)	868	590648	Seal-Valve (Intake)	968B	593364	Cover-Air Cleaner
830	590653	Stud-Rocker Arm	875	590693	Base-Air Cleaner	968C	791082	Cover-Air Cleaner
832	590710	Guard-Muffler	875A	593362	Base-Air Cleaner	994	592264	Arrestor-Spark
			883	590630	Gasket-Exhaust	1005	590679	Fan-Flywheel
			914	590850	Screw (Rocker Cover)	1022	590610	Gasket-Rocker Cover
			951	590614	Lever-Choke	1023A	592903	Cover-Rocker Arm
			951A	591722	Lever-Choke	1026	590658	Rod-Push
			955B	592493	Plug-Carburetor	1029	590651	Arm-Rocker
			957	799324	Cap-Fuel Tank (Plastic) Used on Type No(s). 0020, 0027.	1036		Label-Emissions (Available From A Briggs & Stratton Authorized Dealer)
			961	590850	Screw (Air Cleaner Bracket)	1052	590671	Sensor-Oil
						1054	280275	Tie-Cable
						1058	381264	Manual-Operator's ----- Note ----- 80005886 Manual- Operator's Used on Type No(s). 0030, 0034, 0036, 0044.
						1119	590644	Screw (Alternator)
						1177	590632	Nut (Muffler)
						1302	590457	Washer (Muffler Guard)
						1305	590850	Screw (Oil Sensor Module)
						1319	794467	Label-Warning
						1319A	797669	Label-Warning
						1345A	792917	Filter-Filler Neck
						1357	590688	Sleeve-Fuel Line
						1395	590643	Screw (Air Cleaner Base to Carburetor)
						1449	590633	Washer (Muffler)
						1453	591715	SeaL-Air Cleaner Cover

Not for
Reproduction

Not for
Reproduction

Not for
Reproduction

