

**19N100**

# Illustrated Parts List

## Model Series

# 19N100

### TYPE NUMBERS

0001, 0002, 0003, 0004, 0005, 0008, 0009, 0010, 0013, 0014, 0018, 0019, 0020, 0021, 0022,  
0024, 0025, 0027, 0028, 0029, 0030, 0031, 0032, 0033, 0034, 0035, 0036, 0037, 0039, 0042,  
0044, 0045, 0047, 0048, 0049, 0050, 0051, 0052, 0053, 0055, 0058, 0060, 0062, 0063, 0064,  
0065, 0066, 0067, 0068, 0070, 0071, 0072, 0075, 0076, 0077, 0079, 0080, 0082, 0083, 0084,  
0085, 0218, 0221, 0222.



PRINTED IN U.S.A.

COPYRIGHT by BRIGGS & STRATTON CORPORATION  
All rights reserved. No part of this material may be reproduced or transmitted,  
in any form or by any means, electronic or mechanical, including photocopying,  
recording or by any information storage and retrieval system, without  
permission  
in writing from Briggs & Stratton Corporation.

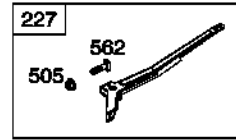
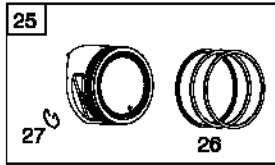
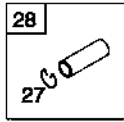
# 19N100

1036 EMISSIONS LABEL

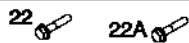
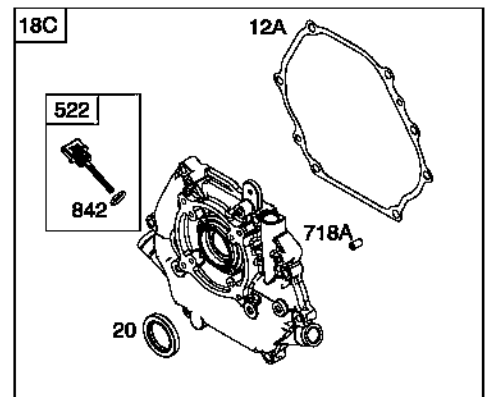
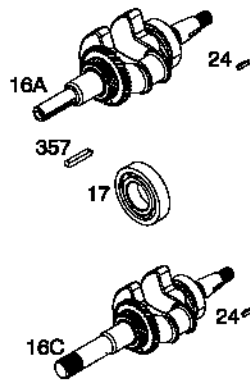
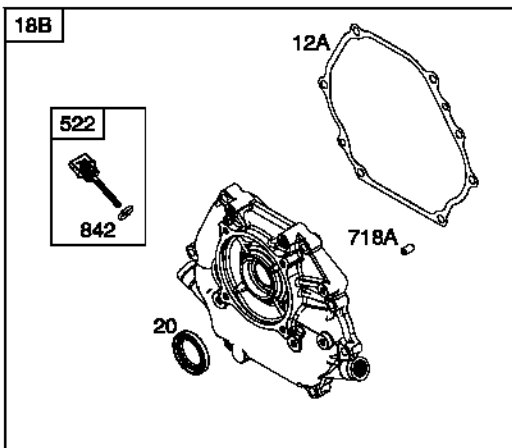
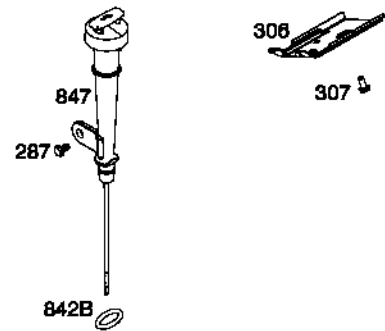
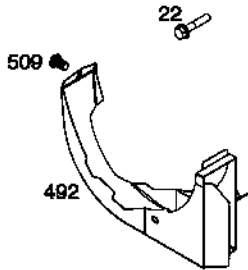
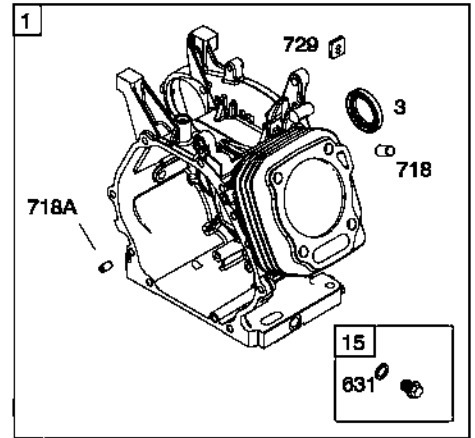
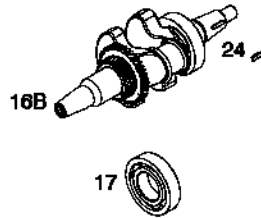
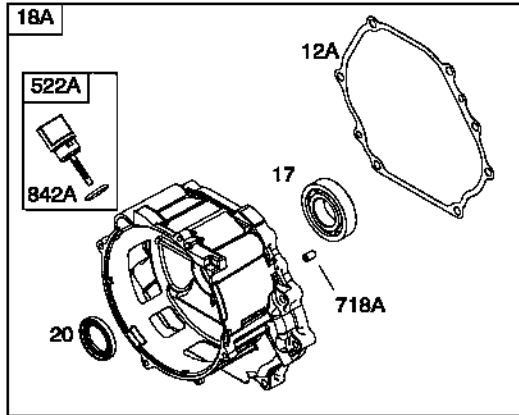
1058 OPERATOR'S MANUAL

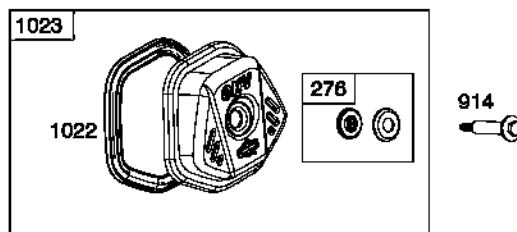
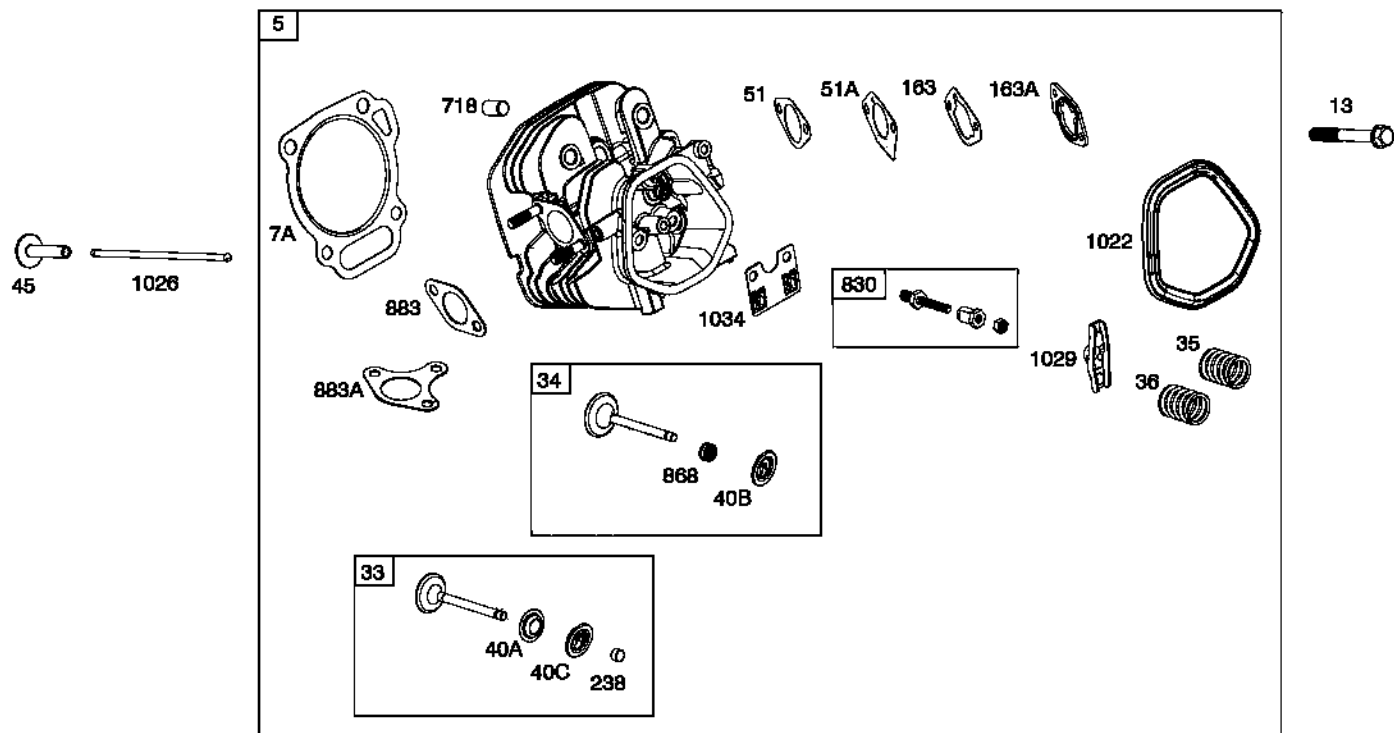
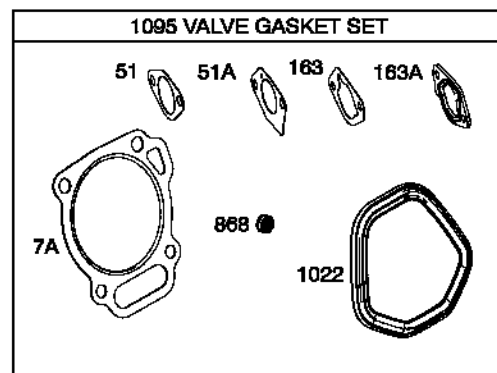
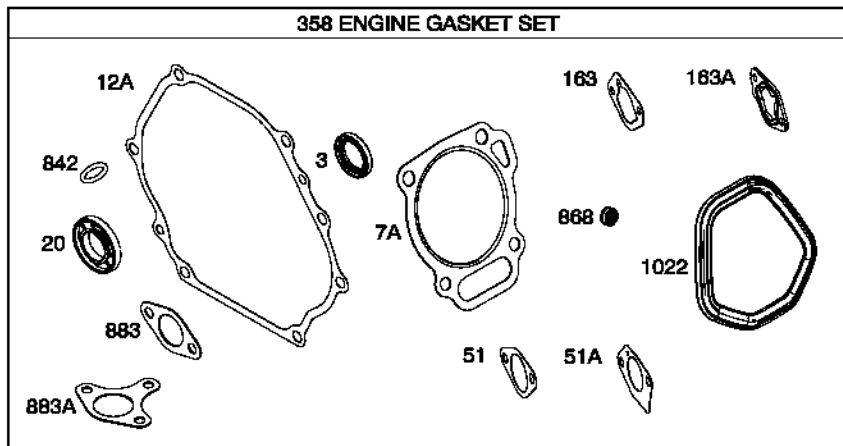
1319 WARNING LABEL

1319A WARNING LABEL



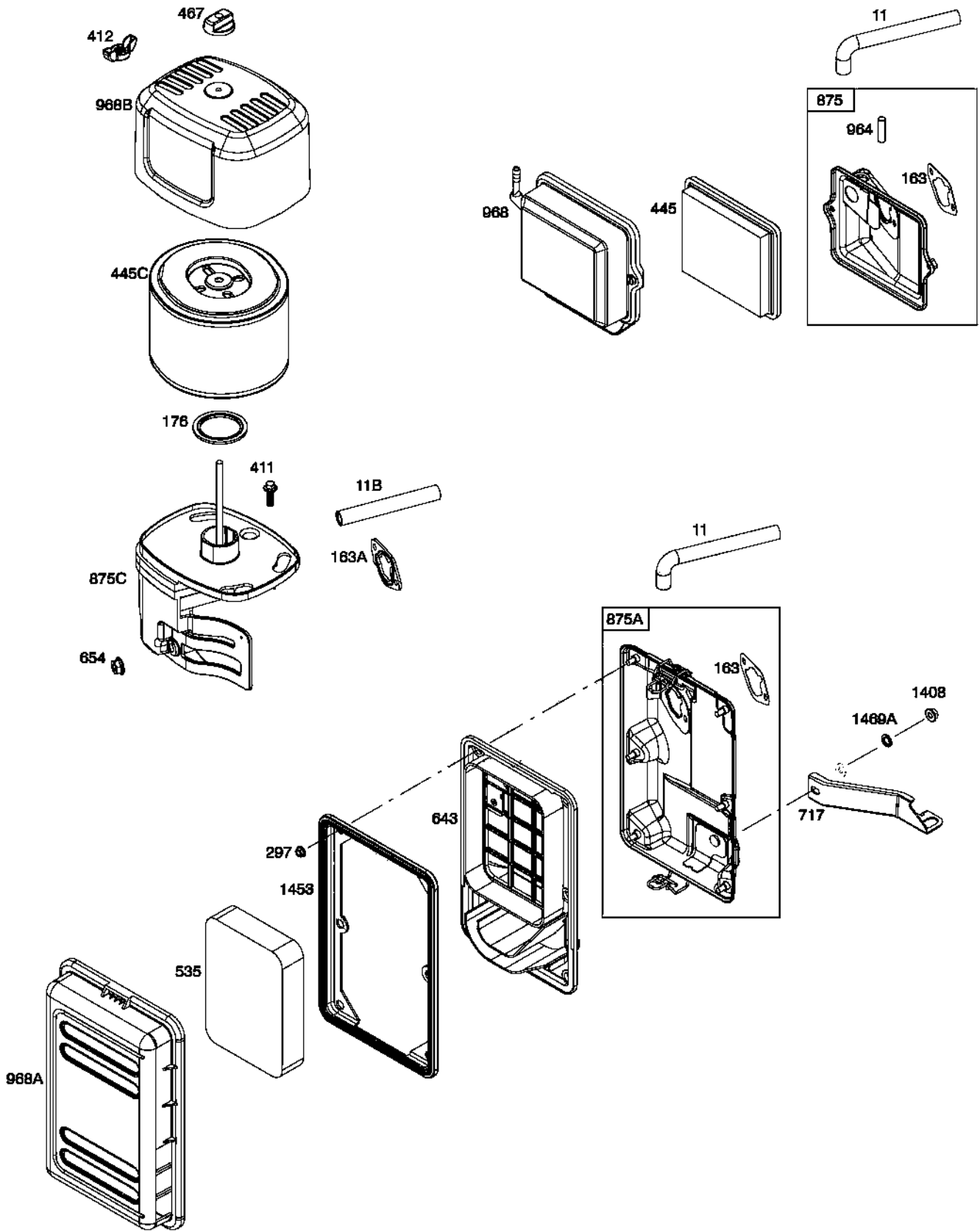
614

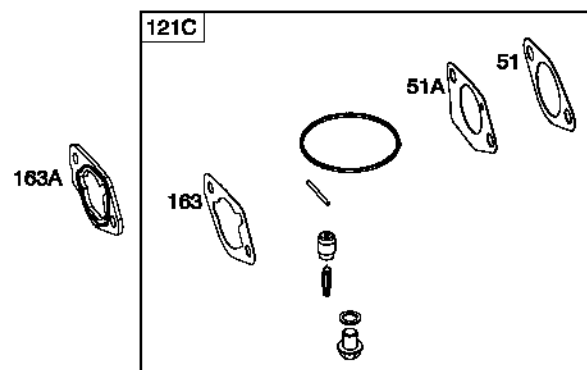
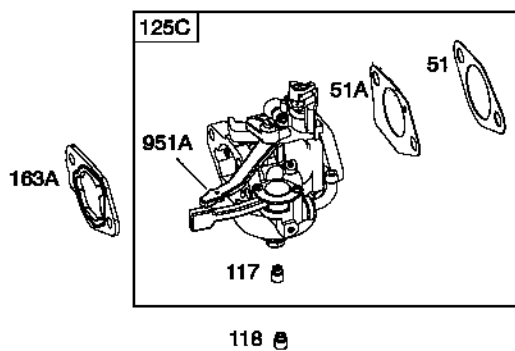
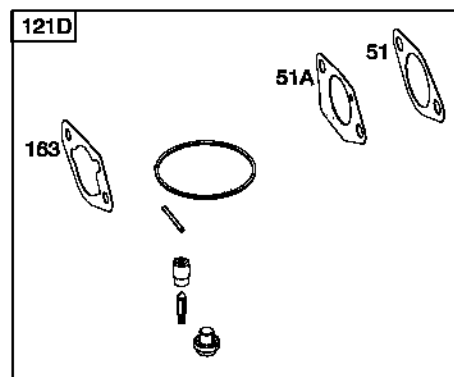
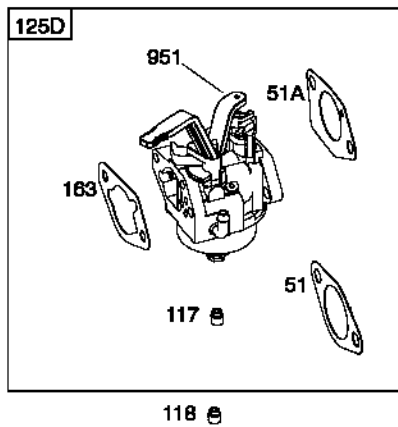
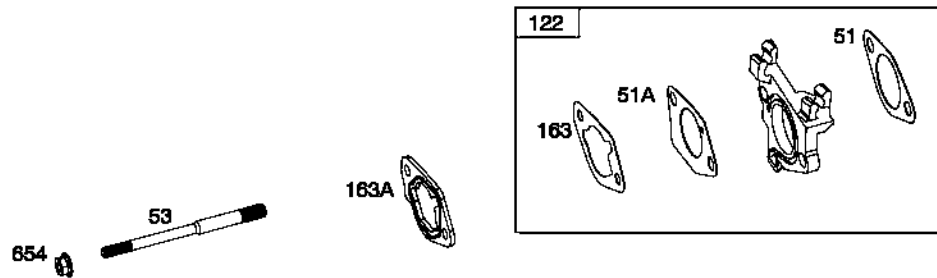




*Illustrations cover a range of engines. Parts shown without text may not be used on your specific engine.*

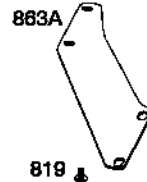
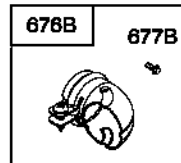
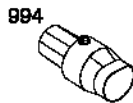
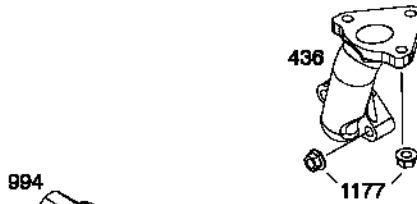
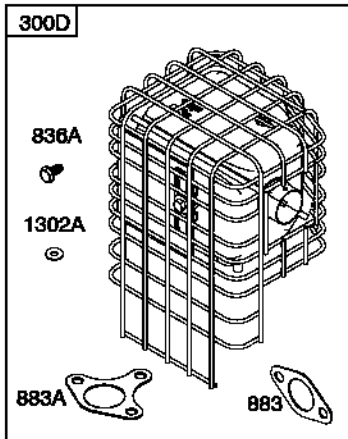
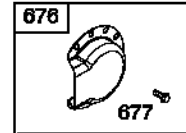
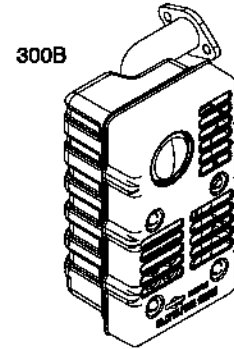
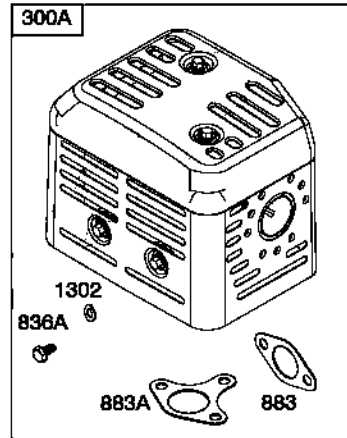
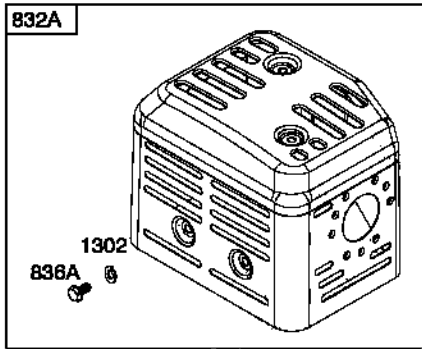
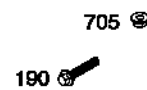
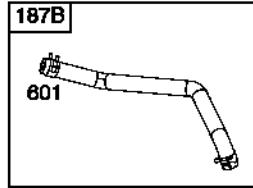
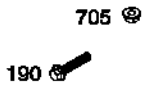
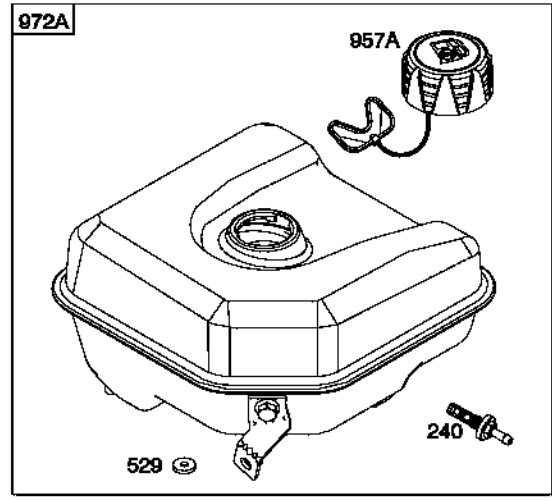
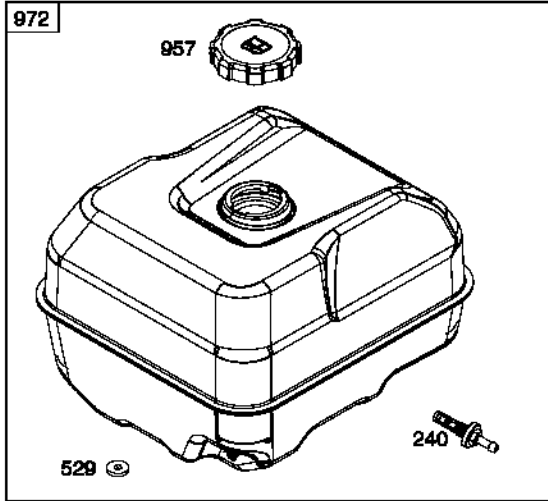
# 19N100

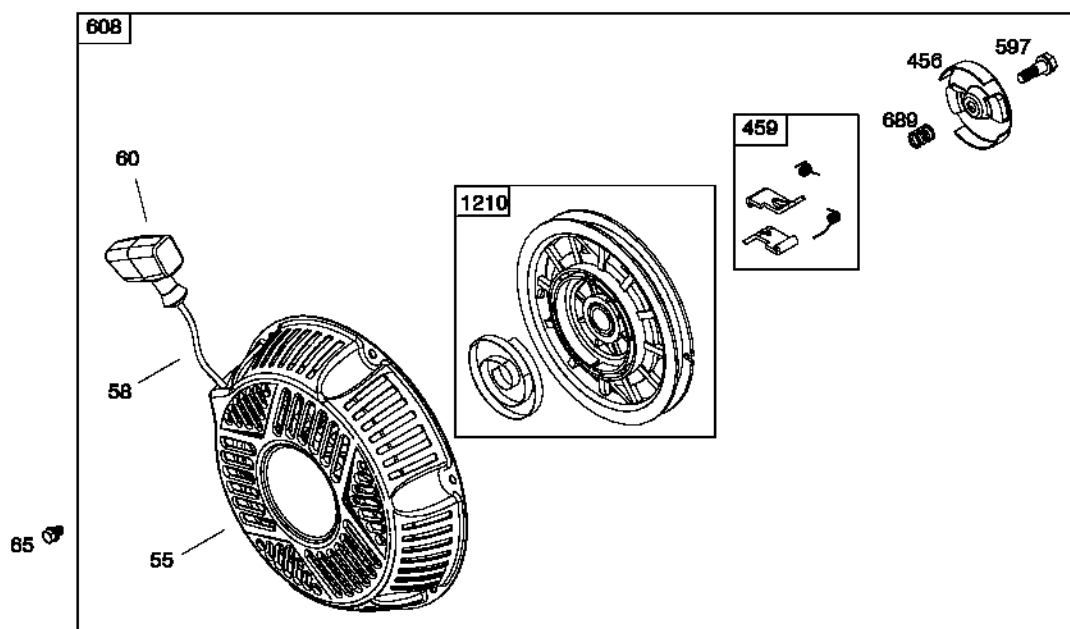
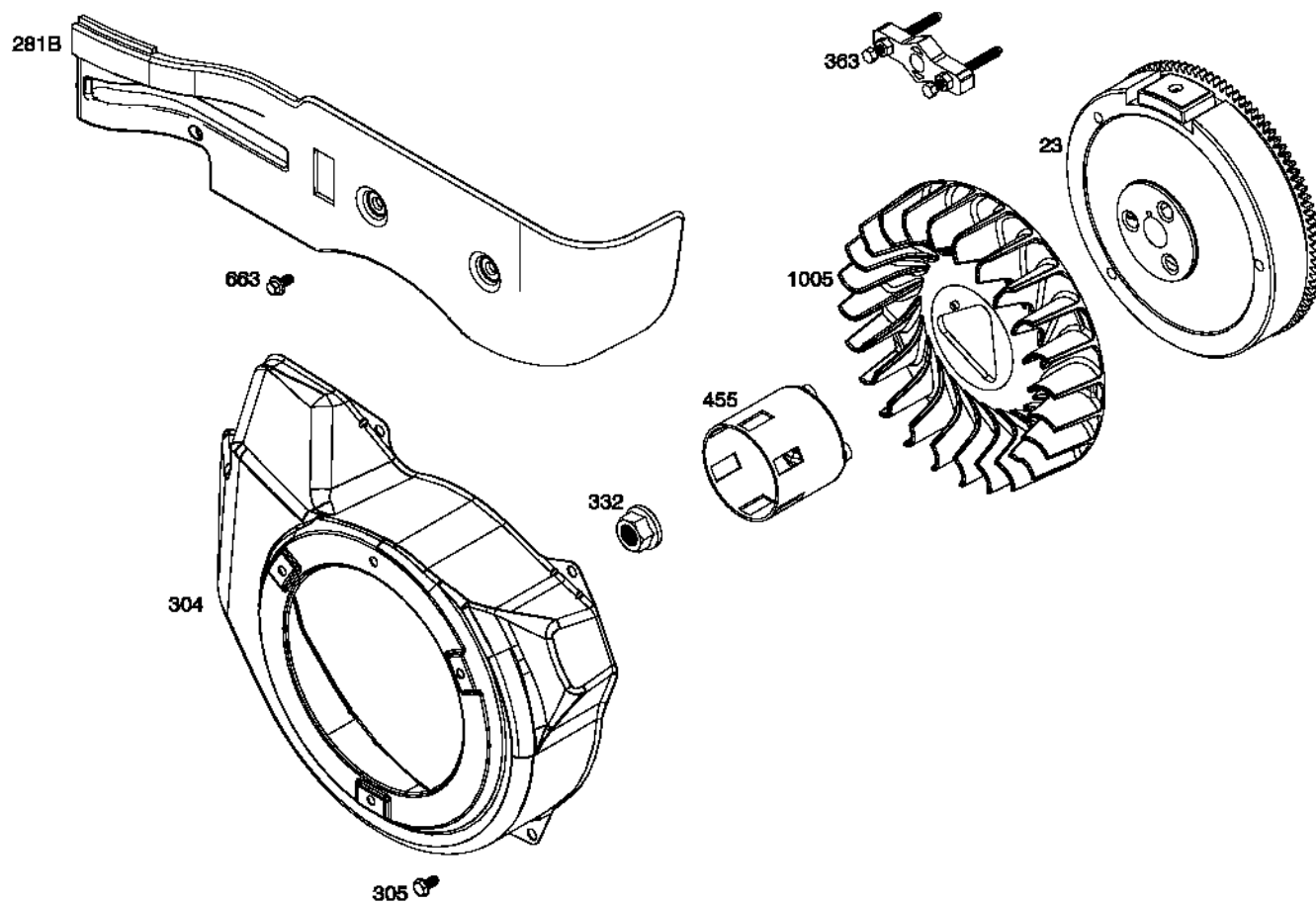




**Illustrations cover a range of engines. Parts shown without text may not be used on your specific engine.**

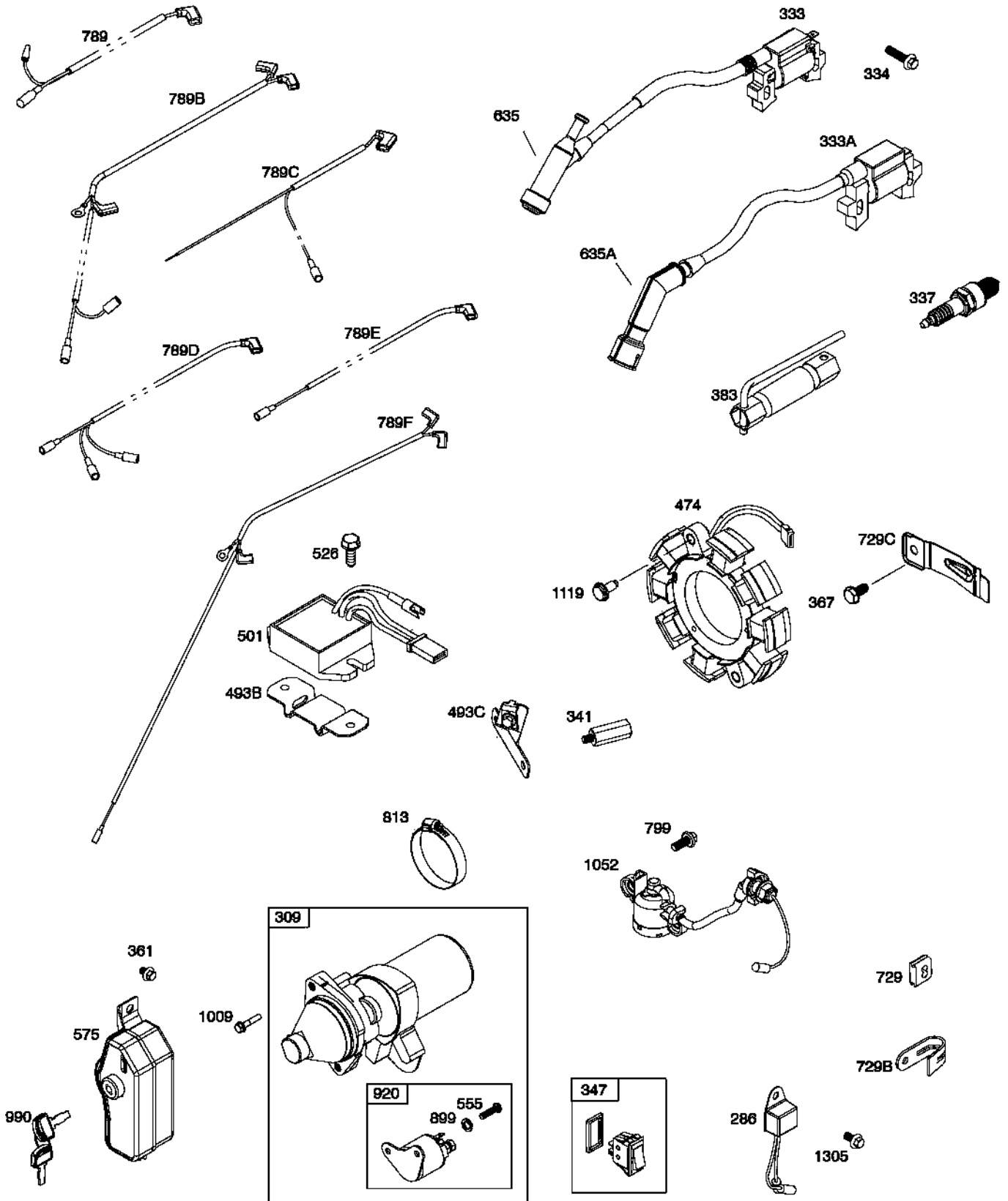
# 19N100



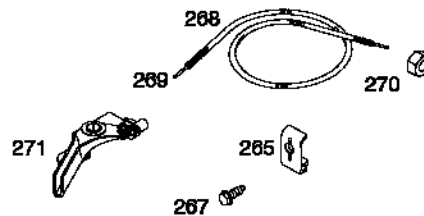
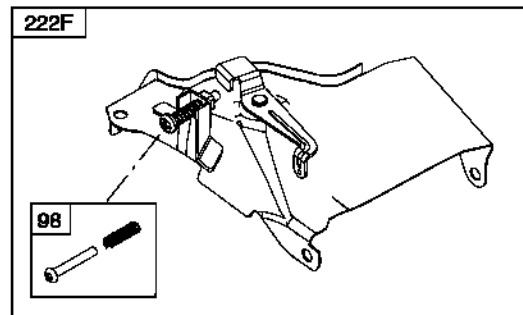
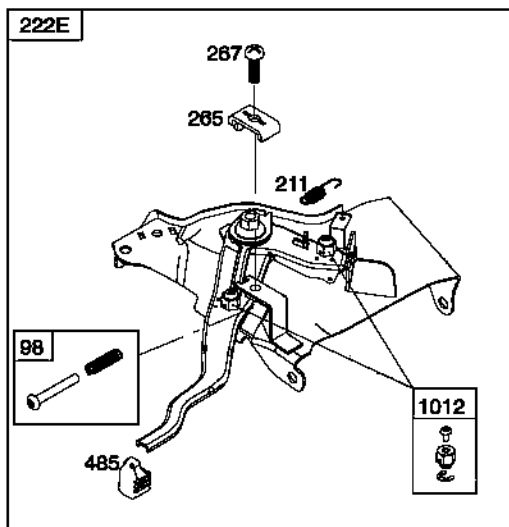
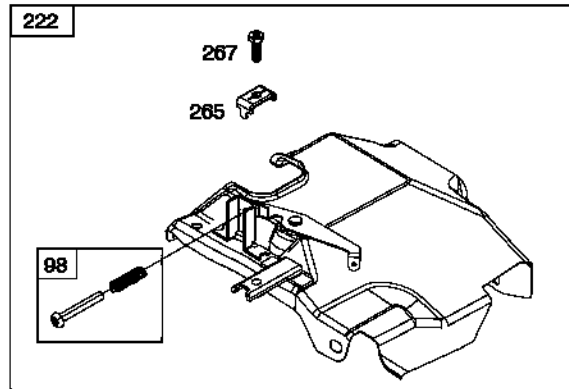


**Illustrations cover a range of engines. Parts shown without text may not be used on your specific engine.**

# 19N100







*Illustrations cover a range of engines. Parts shown without text may not be used on your specific engine.*

# 19N100

REF. NO.	PART NO.	DESCRIPTION	REF. NO.	PART NO.	DESCRIPTION	REF. NO.	PART NO.	DESCRIPTION	
1	593106	Cylinder Assembly ----- Note ----- 593140 Cylinder Assembly Used on Type No(s). 0009, 0027, 0030, 0036, 0042, 0044, 0049, 0050, 0052, 0058, 0066, 0070, 0075, 0076, 0077, 0082. 593726 Cylinder Assembly Used on Type No(s). 0020, 0021, 0034, 0037, 0048, 0051, 0071, 0079, 0080, 0085, 0221. 593736 Cylinder Assembly Used on Type No(s). 0032, 0053, 0060, 0062, 0065, 0072, 0084.							
3	591794	Seal-Oil (Magneto Side)							
5	593093	Head-Cylinder ----- Note ----- 593132 Head-Cylinder Used on Type No(s). 0006, 0013, 0014, 0015, 0045, 0067, 0080.							
7A	592834	Gasket-Cylinder Head							
11	592353	Tube-Breather							
11B	799832	Tube-Breather (Cut To Required Length)							
12A	592597	Gasket-Crankcase							
13	797791	Screw (Cylinder Head)							
15	797793	Plug-Oil Drain							
16A	593084	Crankshaft ----- Note ----- 593115 Crankshaft Used on Type No(s). 0003, 0021, 0022, 0033, 0034, 0047, 0058, 0062, 0063, 0064, 0068, 0070, 0075, 0080, 0221, 0222. 593662 Crankshaft Used on Type No(s). 0051, 0053, 0077, 0084, 0085.							
			16B	591835	Crankshaft Used on Type No(s). 0006, 0009, 0027, 0028, 0036, 0045, 0049. ----- Note ----- 591836 Crankshaft Used on Type No(s). 0013, 0014, 0015.				
			16C	593135	Crankshaft Used on Type No(s). 0008, 0050, 0067, 0083.				
			17	591792	Bearing-Ball (Crankshaft)				
			18A	592038	Cover-Crankcase Used on Type No(s). 0013, 0014, 0015, 0037, 0044, 0050, 0065, 0066, 0067, 0071, 0072, 0079, 0082.				
			18B	593083	Cover-Crankcase ----- Note ----- 593114 Cover-Crankcase Used on Type No(s). 0003, 0021, 0022, 0034, 0047, 0058, 0062, 0063, 0064, 0068, 0070, 0075, 0080, 0221, 0222.				
			18C	593661	Cover-Crankcase Used on Type No(s). 0019, 0031, 0032, 0035, 0039, 0051, 0052, 0053, 0055, 0060, 0076, 0077, 0083. ----- Note ----- 593747 Cover-Crankcase Used on Type No(s). 0033.				
			20	591793	Seal-Oil (PTO Side)				
			22	797776	Screw (Crankcase Cover/Sump)				
			22A	593107	Screw (Crankcase Cover/Sump)				
			23	593100	Flywheel ----- Note ----- 593139 Flywheel Used on Type No(s). 0009, 0027, 0030, 0032, 0036, 0044, 0050, 0052, 0053, 0058, 0060, 0062, 0065, 0066, 0070, 0072, 0075, 0076, 0077, 0082. 593735 Flywheel Used on Type No(s). 0042, 0049. 593690 Flywheel Used on Type No(s). 0084.				
			24	797812	Key-Flywheel				
			25	592613	Piston Assembly (Standard) ----- Note ----- 593108 Piston Assembly (.010" Oversize) 593109 Piston Assembly (.020" Oversize)				
			26	592614	Ring Set (Standard) ----- Note ----- 593110 Ring Set (.010" Oversize) 593111 Ring Set (.020" Oversize)				
			27	592044	Lock-Piston Pin				
			28	592045	Pin-Piston				
			29	592046	Rod-Connecting				
			33	592612	Valve-Exhaust				
			34	592611	Valve-Intake				
			35	591814	Spring-Valve (Intake)				
			36	591814	Spring-Valve (Exhaust)				
			40A	797782	Retainer-Valve				
			40B	591815	Retainer-Valve				
			40C	591816	Retainer-Valve				
			45	797786	Tappet-Valve				
			46	592617	Camshaft				
			51	591779	Gasket-Intake				
			51A	591798	Gasket-Intake				

REF. NO.	PART NO.	DESCRIPTION	REF. NO.	PART NO.	DESCRIPTION	REF. NO.	PART NO.	DESCRIPTION
53	590390	Stud (Carburetor) ----- Note ----- 591801 Stud (Carburetor) Used on Type No(s). 0006, 0013, 0014, 0015, 0045, 0067.	125C	592594	Carburetor ----- Note ----- 593745 Carburetor Used on Type No(s). 0047, 0048, 0050, 0075, 0218, 0221, 0222.	268	691025	Casing-Control Wire (Cut To Required Length)
55	591787	Housing-Rewind Starter	125D	592596	Carburetor ----- Note ----- 592595 Carburetor Used on Type No(s). 0013, 0014, 0015, 0045, 0067.	269	691026	Wire-Control (Cut To Required Length)
58	691921	Rope-Starter (Cut to Required Length)	163	797756	Gasket-Air Cleaner	270	691027	Nut (Control Wire Casing)
60	691915	Grip-Starter Rope	163A	799883	Gasket-Air Cleaner	271	691028	Lever-Control
65	797654	Screw (Rewind Starter)	176	799834	Seal-O Ring (Air Cleaner Base)	276	797847	Washer-Sealing (Rocker Cover) ----- Note ----- 590987 Washer- Sealing (Rocker Cover) Used on Type No(s). 0002, 0003, 0004, 0006, 0018, 0020, 0021, 0022, 0047, 0048, 0050, 0058, 0066, 0075, 0082, 0218, 0221, 0222.
98	592978	Kit-Idle Speed	187B	593092	Line-Fuel ----- Note ----- 592072 Line-Fuel Used on Type No(s). 0045, 0067. 593721 Line-Fuel Used on Type No(s). 0019, 0031, 0032, 0033, 0034, 0035, 0037, 0039, 0051, 0052, 0053, 0055, 0060, 0062, 0063, 0065, 0071, 0072, 0076, 0077, 0079, 0080, 0083.	281B	593099	Panel-Control ----- Note ----- 593314 Panel-Control Used on Type No(s). 0009, 0027, 0028, 0036, 0049. 593732 Panel-Control Used on Type No(s). 0030, 0032, 0034, 0042, 0044, 0050, 0052, 0053, 0060, 0062, 0066, 0071, 0072, 0075, 0080.
117	592598	Jet-Main (Standard) ----- Note ----- 592928 Jet-Main (Standard) Used on Type No(s). 0006. 593503 Jet-Main (Standard) Used on Type No(s). 0013, 0014, 0015, 0045, 0067.	188	798618	Screw (Control Bracket)	286	797772	Module-Oil Sensor
118	594713	Jet-Main (High Altitude) 799774 Jet-Main (High Altitude) Used on Type No(s). 0006. 594712 Jet-Main (High Altitude) Used on Type No(s). 0013, 0014, 0015, 0045, 0067.	190	590964	Screw (Fuel Tank)	287	798618	Screw (Dipstick Tube)
121C	592229	Kit-Carburetor Overhaul	202	591834	Link-Mechanical Governor	297	591808	Nut (Air Filter Retainer)
121D	593133	Kit-Carburetor Overhaul	209	591786	Spring-Governor	300A	593090	Muffler
122	591797	Spacer-Carburetor	211	799927	Spring-Governed Idle	300B	192569GS	Muffler Used on Type No(s). 0067.
			222	591810	Bracket-Control	300D	593128	Muffler ----- Note ----- 593731 Muffler Used on Type No(s). 0034, 0062.
			222E	593105	Bracket-Control	304	591785	Housing-Blower
			222F	593315	Bracket-Control Used on Type No(s). 0009, 0027, 0028, 0036, 0049.	305	798618	Screw (Blower Housing)
			227	592616	Lever-Governor Control	306	591790	Shield-Cylinder
			232	797809	Spring-Governor Link	307	798618	Screw (Cylinder Shield)
			238	591817	Cap-Valve	309	591780	Motor-Starter
			240	797346	Filter-Fuel			
			240A	394358s	Filter-Fuel			
			265	691024	Clamp-Casing			
			267	699492	Screw (Casing Clamp)			

# 19N100

REF. NO.	PART NO.	DESCRIPTION	REF. NO.	PART NO.	DESCRIPTION	REF. NO.	PART NO.	DESCRIPTION
332	797811	Nut (Flywheel)	535	591778	Filter-Air Cleaner Foam	789B	593082	Harness-Wiring Used on Type No(s).
333	797769	Armature-Magneto	555	799532	Screw (Starter Solenoid)			0002, 0003, 0004, 0008, 0009, 0010, 0018, 0019, 0022, 0024, 0025, 0028, 0029, 0031, 0033, 0035, 0039, 0047, 0055, 0058, 0063, 0064, 0068, 0070, 0082, 0083, 0218, 0222.
333A	798616	Armature-Magneto	562	797230	Bolt (Governor-Control Lever)	789C	590371	Harness-Wiring Used on Type No(s).
334	797655	Screw (Magneto Armature)	575	593734	Switch-Starting			0034, 0080.
337	798615	Plug-Spark	597	799972	Screw (Pawl Friction Plate)	789D	590372	Harness-Wiring Used on Type No(s).
341	591341	Stud-Mounting	601	791850	Clamp-Hose			0027, 0030, 0036, 0042, 0044, 0049, 0050, 0052, 0066, 0075, 0076, 0077.
347	797340	Switch-Rocker	608	591781	Starter-Rewind	789E	591390	Harness-Wiring Used on Type No(s).
357	590960	Key-Drive Pulley ----- Note ----- 591054 Key-Drive Pulley Used on Type No(s).	614	797229	Pin-Cotter			0071, 0072.
		0003, 0021, 0022, 0033, 0047, 0058, 0064, 0070, 0075, 0221, 0222.	616	592615	Crank-Governor	789F	593722	Harness-Wiring Used on Type No(s).
358	593112	Gasket Set-Engine	621	692310	Switch-Stop			0020, 0021, 0037, 0048, 0051, 0065, 0079, 0221.
361	798618	Screw (Starting Switch)	631	797794	Washer (Oil Drain Plug)	799	798975	Screw (Oil Sensor)
363	19203	Puller-Flywheel	635	797658	Boot-Spark Plug	813	590392	Clamp
367	798618	Screw (Wire Clip)	635A	797685	Boot-Spark Plug	819	798618	Screw (Muffler Bracket)
383	19576S	Wrench-Spark Plug	643	591806	Retainer-Air Filter	830	591088	Stud-Rocker Arm
411	797686	Screw (Air Cleaner Base to Carburetor)	654	690939	Nut (Carburetor)	832A	593091	Guard-Muffler
412	799830	Nut (Air Cleaner Cover)	663	799846	Screw (Control Panel)	836A	798976	Screw (Muffler Guard)
436	593089	Manifold-Exhaust	676	590953	Deflector-Muffler	842	797327	Seal-O Ring (Dipstick Tube)
445	491588s	Filter-Air Cleaner Cartridge	676B	697816	Deflector-Muffler	842A	797763	Seal-O Ring (Dipstick Tube)
445C	592605	Filter-Air Cleaner Cartridge	677	699203	Screw (Muffler Deflector)	842B	691031	Seal-O Ring (Dipstick Tube)
455	591820	Cup-Flywheel	677B	699776	Screw (Muffler Deflector)	847	593174	Dipstick/Tube Assembly
456	799973	Plate-Pawl Friction	689	799669	Spring-Friction	863A	593733	Bracket-Muffler
459	799976	Pawl-Ratchet	703	590967	Clip (Fuel Hose)	868	797854	Seal-Valve (Intake)
467	691985	Knob-Air Cleaner	705	590965	Nut (Fuel Tank)	875	799776	Base-Air Cleaner (Plastic)
474	591100	Alternator	717	593134	Bracket-Air Cleaner	875A	591804	Base-Air Cleaner (Plastic)
485	797339	Knob-Control	718	797792	Pin-Locating (Cylinder Head)	875C	593088	Base-Air Cleaner (Plastic)
492	592037	Shield-Crankcase	718A	797761	Pin-Locating (Crankcase Cover)			
493B	691177	Bracket-Mounting	729	797750	Clip-Wire			
493C	591342	Bracket-Mounting	729B	592311	Clip-Wire			
501	845907	Regulator	729C	593137	Clip-Wire			
505	690939	Nut (Governor Control Lever)	789	797856	Harness-Wiring Used on Type No(s).			0006, 0013, 0014, 0015, 0032, 0045, 0053, 0060, 0062, 0067.
509	798840	Screw (Crankcase Shield)						
522	799941	Plug-Dipstick/Fill						
522A	797762	Plug-Dipstick/Fill						
526	690297	Screw (Regulator)						
529	799933	Grommet (Fuel Tank)						

REF. NO.	PART NO.	DESCRIPTION	REF. NO.	PART NO.	DESCRIPTION	REF. NO.	PART NO.	DESCRIPTION
883	797770	Gasket-Exhaust	968A	591803	Cover-Air Cleaner	1058	279127TRI	Manual-Operator's
883A	799797	Gasket-Exhaust	968B	593087	Cover-Air Cleaner			----- Note -----
899	799642	Washer (Starter Solenoid)	972	593095	Tank-Fuel			279127EST
914	797848	Screw (Rocker Cover)	972A	593720	Tank-Fuel			Manual-Operator's
		----- Note -----	990	590996	Key Set			279127WST
		590988 Screw (Rocker Cover)	994	790153	Arrestor-Spark			Manual-Operator's
		Used on Type No(s).	994A	594233	Arrestor-Spark			279127ZH
		0002, 0003, 0004,			Used on Type No(s).			Manual-Operator's
		0006, 0018, 0020,	994B	796399	Arrestor-Spark	1095	593113	Gasket Set-Valve
		0021, 0022, 0047,			Used on Type No(s).	1119	799845	Screw
		0048, 0050, 0058,			0047, 0050, 0076,			(Alternator)
		0066, 0075, 0082,			0077.	1177	590965	Nut
		0218, 0221, 0222.	1005	591789	Fan-Flywheel			(Muffler)
920	799481	Solenoid-Starter	1009	593136	Screw (Starter Motor)	1210	591788	Pulley/Spring Assembly (Pulley)
951	592068	Lever-Choke Used on Type No(s).	1012	590378	Retainer-Link			----- Note -----
		0006.	1022	797846	Gasket-Rocker Cover			799975 Pulley/Spring Assembly (Pulley)
		----- Note -----	1023	799778	Cover-Rocker Arm			
		797759 Lever-Choke			----- Note -----	1302	590457	Washer
		Used on Type No(s).			590989 Cover-			(Muffler Guard)
		0013, 0014, 0015,			Rocker Arm	1302A	593727	Washer
		0045, 0067.			Used on Type No(s).			(Muffler Guard)
951A	593102	Lever-Choke			0002, 0003, 0004,	1305	798618	Screw
957	794641	Cap-Fuel Tank			0006, 0018, 0020,			(Oil Sensor Module)
957A	799324	Cap-Fuel Tank			0021, 0022, 0047,	1319	794467	Label-Warning
964	799159	Cap-Connector			0048, 0050, 0058,	1319A	797669	Label-Warning
968	590958	Cover-Air Cleaner Used on Type No(s).			0066, 0075, 0082,	1345	792917	Filter-Filler Neck
		0013, 0014.	1026	591818	Rod-Push	1408	690939	Nut
		----- Note -----	1029	591087	Arm-Rocker			(Air Cleaner Bracket)
		791082 Cover-Air Cleaner	1034	591819	Guide-Push Rod	1453	591807	Seal-Air Cleaner Cover
		Used on Type No(s).	1036		Label-Emissions (Available From A Briggs & Stratton Authorized Dealer)	1469A	22097GS	Washer (Air Cleaner Bracket)
		0013, 0014, 0015,						
		0045, 0067.	1052	797771	Sensor-Oil			





